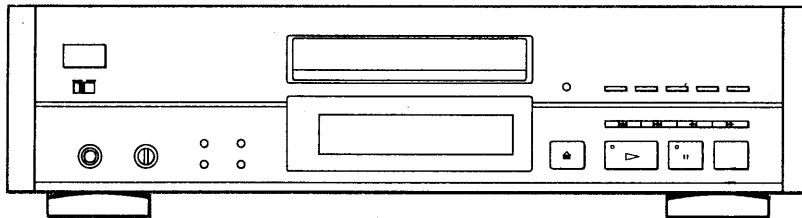


# CDP-X505ES

## SERVICE MANUAL

*AEP Model  
E Model  
Australian Model*



|                                    |   |
|------------------------------------|---|
| Model Name Using Similar Mechanism | CDP-X559ES                                      |
| CD Mechanism Type                  | CDM19C2-6G50 : (BLACK)<br>CDM19D2-6G50 : (GOLD) |
| Optical Pick-up Block Type         | BU-6G   |

### SPECIFICATIONS

#### Compact disc player

|                       |                             |
|-----------------------|-----------------------------|
| Laser                 | Semiconductor laser         |
| Wavelength            | 780-790 nm                  |
| Frequency response    | 2 Hz to 20 kHz $\pm 0.3$ dB |
| Signal-to-noise ratio | More than 118 dB            |
| Dynamic range         | More than 100 dB            |
| Harmonic distortion   | Less than 0.0017%           |
| Channel separation    | More than 110 dB            |

#### Outputs

|                            |   |
|----------------------------|---|
| LINE OUT (FIXED)           | Output level 2 V (at 50 kilo-ohms)<br>Load impedance over 10 kilo-ohms      |
| LINE OUT (VARIABLE)        | Output level max. 2 V (at 50 kilo-ohms)<br>Load impedance over 50 kilo-ohms |
| DIGITAL OUT (OPTICAL)      | Wave length 660 nm<br>Output level $-18$ dBm                                |
| PHONES (stereo phone jack) | Output level max. 28 mW<br>Load impedance 32 ohms                           |

#### General

|   |   |
|---|---|
| Power requirements                          |   |
| Continental European model:                 | 220 V - 230 V AC, 50/60 Hz  |
| Australian model:                           | 240 V AC, 50 Hz   |
| Other country models:                       | 110, 120, 220 or 240 V AC, 50/60 Hz   |
| Power consumption                           | 29 W  |
| Dimensions (approx., including projections) |   |
| CDP-X505ES                                  | Australian model:<br>430 x 125 x 375 mm (w/h/d)<br>(17 x 5 x 14 $\frac{7}{8}$ inches)                   |
|   | Other country models:<br>470 x 125 x 375 mm (w/h/d)<br>(18 $\frac{5}{8}$ x 5 x 14 $\frac{7}{8}$ inches) |

|                |  |
|----------------|--|
| Mass (approx.) | European model:<br>13.2 kg (29 lbs 2 oz)<br>Australian model:<br>12.5 kg (27 lbs 9 oz)<br>Other country models:<br>12.3 kg (27 lbs 2 oz) |
|----------------|--|

#### Remote commander

|   |  |
|---|--|
| Remote control system                       | Infrared control   |
| Power requirements                          | 3 V DC with two R6 (size AA) batteries                                     |
| Dimensions (approx., including projections) | 62 x 17 x 175 mm (w/h/d)<br>(2 $\frac{1}{2}$ x $\frac{23}{32}$ x 7 inches) |
| Mass (approx.)                              | 135 g (5 oz)   |

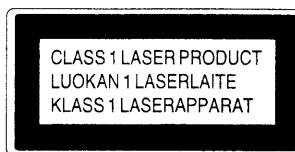
Design and specifications are subject to change without notice.



COMPACT DISC PLAYER  
**SONY**®

## TABLE OF CONTENTS

| <u>Section</u>                                    | <u>Title</u> | <u>Page</u> |
|---|--------------|-------------|
| <b>SECTION 1. GENERAL</b>                         |              |             |
| Identifying the Parts .....                       |              | 3           |
| <b>SECTION 2. ELECTRICAL BLOCK CHECKING .....</b> |              |             |
|   |              | 4           |
| <b>SECTION 3. DIAGRAMS</b>                        |              |             |
| 3-1. Block Diagram .....                          |              | 6           |
| 3-2. Circuit Boards Location .....                |              | 9           |
| 3-3. Printed Wiring Board — Main Section — .....  |              | 10          |
| 3-4. Schematic Diagram — Main Section — .....     |              | 15          |
| 3-5. Schematic Diagram — BD Section — .....       |              | 20          |
| 3-6. Printed Wiring Board — BD Section — .....    |              | 25          |
| 3-7. Semiconductor Lead Layouts .....             |              | 28          |
| 3-8. IC Block Diagrams .....                      |              | 29          |
| <b>SECTION 4. EXPLODED VIEWS</b>                  |              |             |
| 4-1. Front Panel and Cabinet Assemblies .....     |              | 31          |
| 4-2. Chassis Section .....                        |              | 33          |
| 4-3. CD Mechanism Block Section                   |              |             |
| (CDM19C2-6G50) : Black                            |              |             |
| (CDM19D2-6G50) : Gold .....                       |              | 34          |
| 4-4. Base Unit Section (BU-6G) .....              |              | 35          |
| <b>SECTION 5. ELECTRICAL PARTS LIST .....</b>     |              |             |
|   |              | 36          |

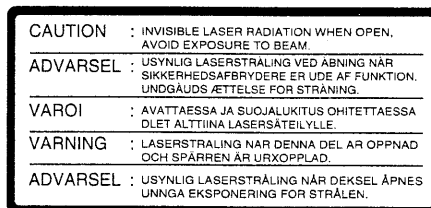


This Compact Disc player is classified as a CLASS 1 LASER product. The CLASS 1 LASER PRODUCT MARKING is located on the rear exterior.

### Note

This appliance conforms with EEC Directive 87/308/EEC regarding interference suppression.

The following caution label is located in the side of the unit.



### NOTES ON HANDLING THE OPTICAL PICK-UP BLOCK OR BASE UNIT

The laser diode in the optical pick-up block may suffer electrostatic breakdown because of the potential difference generated by the charged electrostatic load, etc. on clothing and the human body.

During repair, pay attention to electrostatic breakdown and also use the procedure in the printed matter which is included in the repair parts.

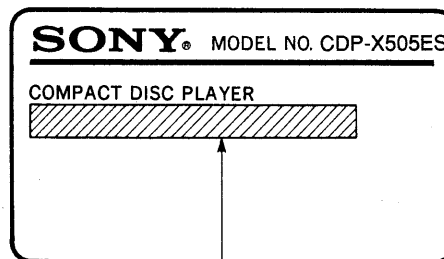
The flexible board is easily damaged and should be handled with care.

### NOTES ON LASER DIODE EMISSION CHECK

The laser beam on this model is concentrated so as to be focused on the disc reflective surface by the objective lens in the optical pick-up block. Therefore, when checking the laser diode emission, observe from more than 30cm away from the objective lens.

### MODEL IDENTIFICATION

—Model Number Label—



AEP, Germany model : AC : 220—230V, 50/60Hz 29W

Australian model : AC : 240V, 50Hz 29W

E, Saudi Arabia model : AC : 110, 120, 220 or 240V, 50/60Hz 29W

### SAFETY-RELATED COMPONENT WARNING!!

COMPONENTS IDENTIFIED BY MARK OR DOTTED LINE WITH MARK ON THE SCHEMATIC DIAGRAMS AND IN THE PARTS LIST ARE CRITICAL TO SAFE OPERATION. REPLACE THESE COMPONENTS WITH SONY PARTS WHOSE PART NUMBERS APPEAR AS SHOWN IN THIS MANUAL OR IN SUPPLEMENTS PUBLISHED BY SONY.

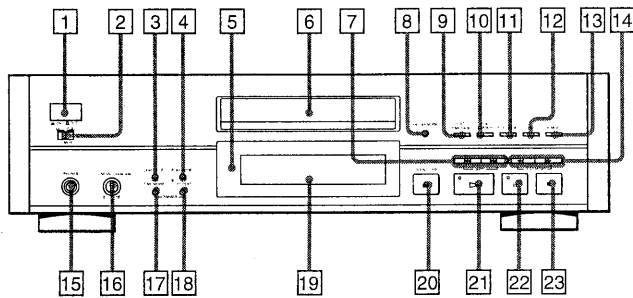
# SECTION 1 GENERAL

This section is extracted from instruction manual.

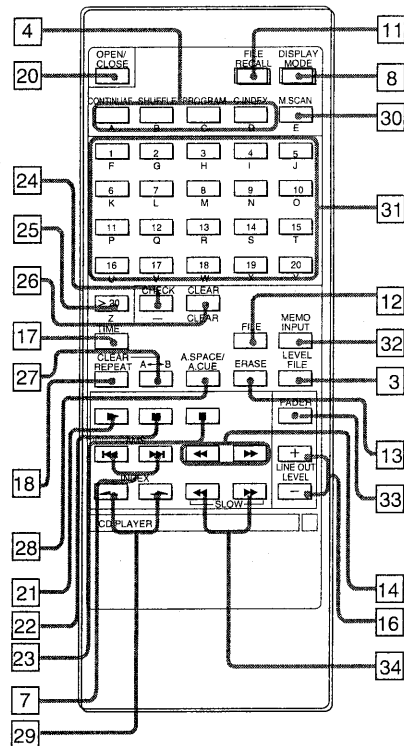
## Identifying the Parts

Refer to the pages indicated in parentheses for details.

### Front Panel/ Remote Commander



- 1 POWER switch (18)
- 2 TIMER switch (92)
- 3 LEVEL FILE button (90)
- 4 PLAY MODE button  
On the remote commander:  
CONTINUE button (18)  
SHUFFLE button (28)  
PROGRAM button (34, 48)  
C.INDEX button (76)
- 5 Remote sensor
- 6 Disc tray
- 7 ◀▶ (AMS\*) buttons (22)
- 8 DISPLAY MODE button (20)
- 9 EDIT/TIME FADE button (58, 64)
- 10 PEAK SEARCH button (66)
- 11 FILE RECALL button (84, 88)
- 12 FILE (custom file) button (70, 74, 76, 82, 86)
- 13 ERASE button (80, 84, 88)
- 14 ◀▶▶▶ (manual search) buttons (24)
- 15 PHONES jack (18)
- 16 LINE OUT/PHONE LEVEL control (18, 90)  
(LINE OUT LEVEL +/- buttons on the remote commander)
- 17 TIME/MEMO button (20)
- 18 REPEAT button (40)
- 19 Display
- 20 ▲ OPEN/CLOSE button (18)
- 21 ▶ (play) button and indicator (18)
- 22 || (pause) button and indicator (18)
- 23 ■ (stop) button (18)
- 24 CHECK (program check) button (36)
- 25 >20 button (22)
- 26 CLEAR button (30, 32, 34, 36)
- 27 A↔B button (42)
- 28 A.SPACE/A.CUE button (26)
- 29 ◀/▶ INDEX buttons (24, 78)
- 30 M.SCAN button (38)
- 31 Numeric buttons (22)
- 32 MEMO INPUT button (72)
- 33 FADER button (44)
- 34 ◀◀/▶▶ SLOW buttons (24)



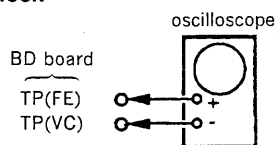
\* AMS is the abbreviation of Automatic Music Sensor.

## SECTION 2 ELECTRICAL BLOCK CHECKING

### Note :

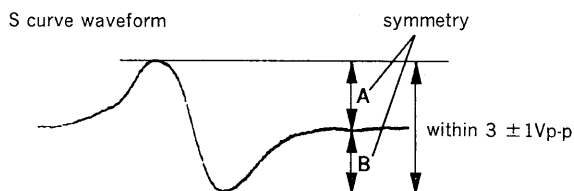
1. CD Block basically constructed to operate without adjustment. Therefore, check each item in order given.
2. Use YEDS-18 disc (3-702-101-01) unless otherwise indicated.
3. Use the oscilloscope with more than  $10M\Omega$  impedance.
4. Clean an object lens by an applicator with neutral detergent when the signal level is low than specified value with the following checks.

### S Curve Check



#### Procedure :

1. Connect oscilloscope to test point TP (FE) on BD board.
2. Connect between test point TP (FEI) and TP (VC) with lead wire.
3. Turned Power switch on and actuate the focus serch. (actuate the focus serch when disc table is moving in and out.)
4. Check the oscilloscope waveform (S curve) is symmetrical between A and B. And confirm peak to peak level within  $3 \pm 1V_{p-p}$ .

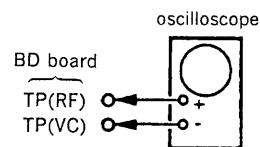


5. After check, remove the lead wire connected in step 2.

**Note :**

- Try to measure several times to make sure that the ratio of A : B or B : A is more than 10 : 7.
- Take sweep time as long as possible and light up the brightness to obtain best waveform.

### RF Level Check



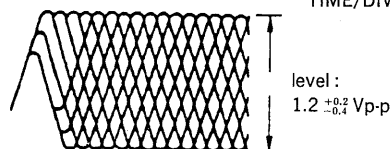
#### Procedure :

1. Connect oscilloscope to test point TP (RF) on BD board.
2. Turn Power switch on.
3. Put disc (YEDS-18) in and playback.
4. Confirm that oscilloscope waveform is clear and check RF signal level is correct or not.

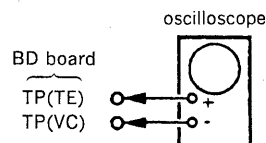
#### Note :

Clear RF signal waveform means that the shape "◇" can be clearly distinguished at the center of the waveform.

RF signal waveform VOLT/DIV : 200mV  
TIME/DIV : 500ns

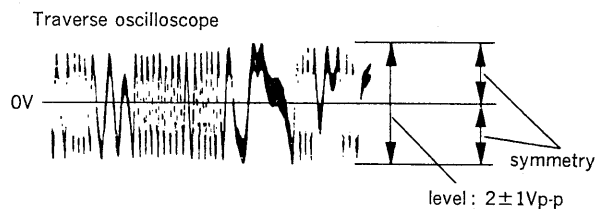


### E-F Balance Check



#### Procedure :

1. Connect test point TP (ADJ) to ground and TP (TEI) to TP (VC) with lead wires.
2. Connect oscilloscope to test point TP (TE) on BD board.
3. Turn Power switch on.
4. Put disc (YEDS-18) in and playback.
5. Confirm that the oscilloscope waveform is symmetrical on the top and bottom in relation to 0V, and check this level.

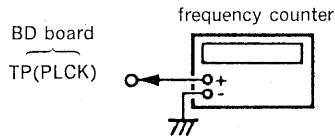


6. Remove the lead wires connected in step 1.

### RF PLL Free-run Frequency Check

#### Procedure :

1. Connect frequency counter to test point TP (PLCK) with lead wire.



2. Turn Power switch on.
3. Put disc (YEDS-18) in and playback.
4. Confirm that reading on frequency counter is 4.3218MHz.

### Focus/Tracking Gain

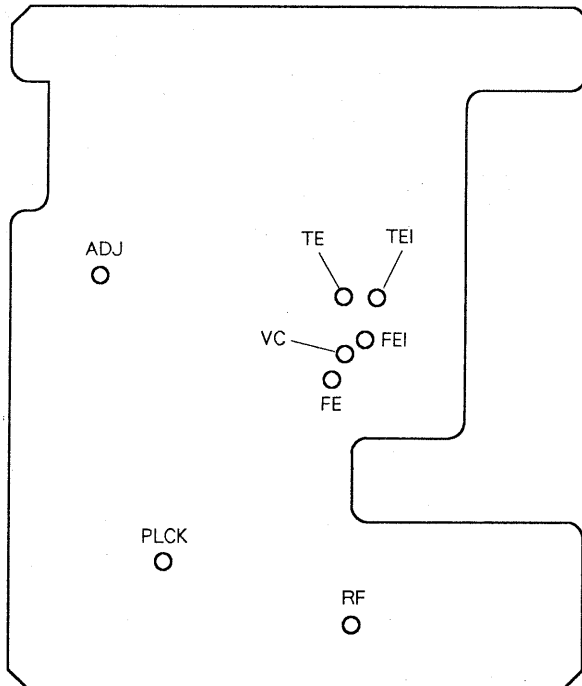
This gain has a margin, so even if it is slightly off.

There is no problem.

Therefore, do not perform, this adjustment.

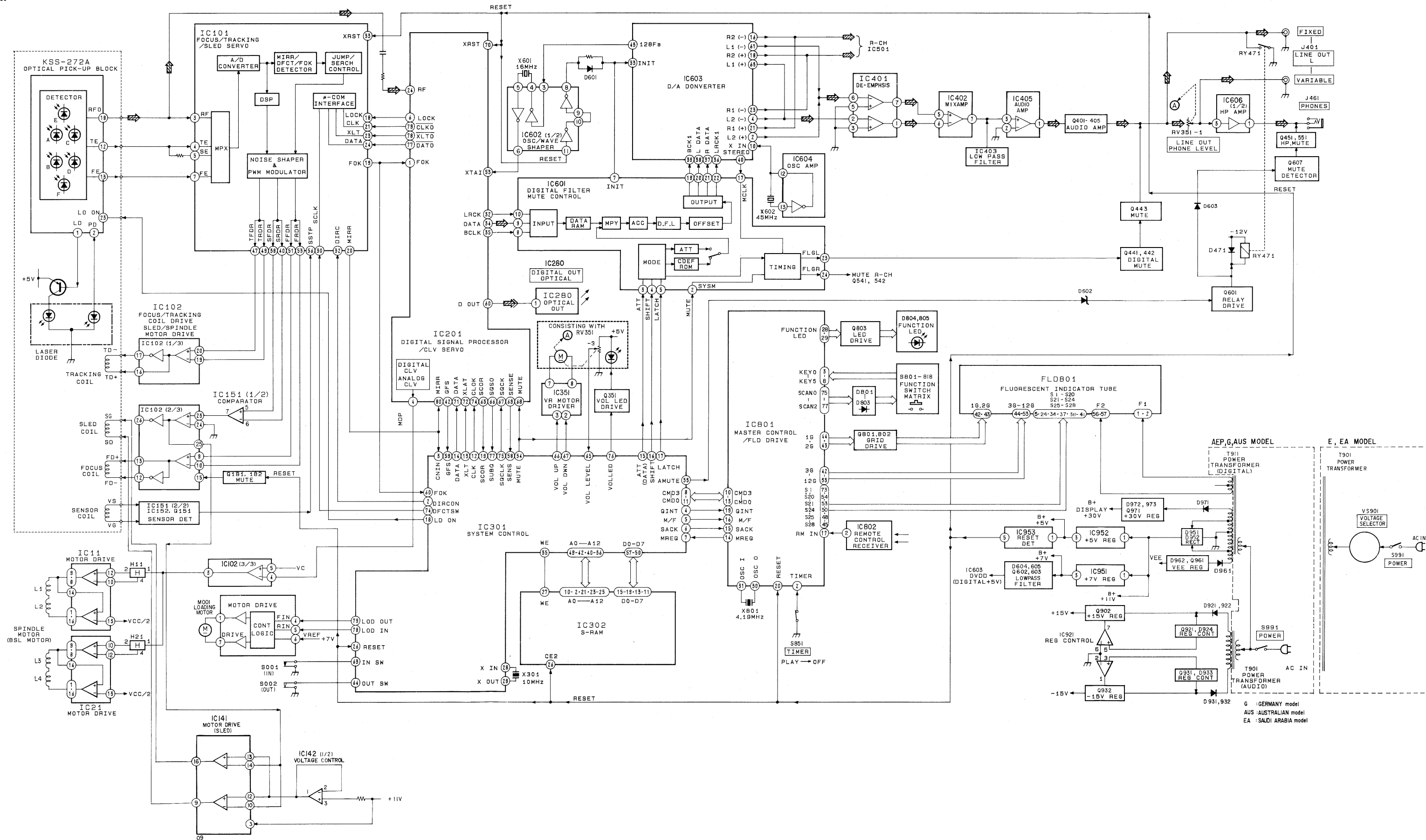
Please note that it should be fixed to mechanical center position when you moved and do not know original position.

### Check Point Location : BD board—side A—

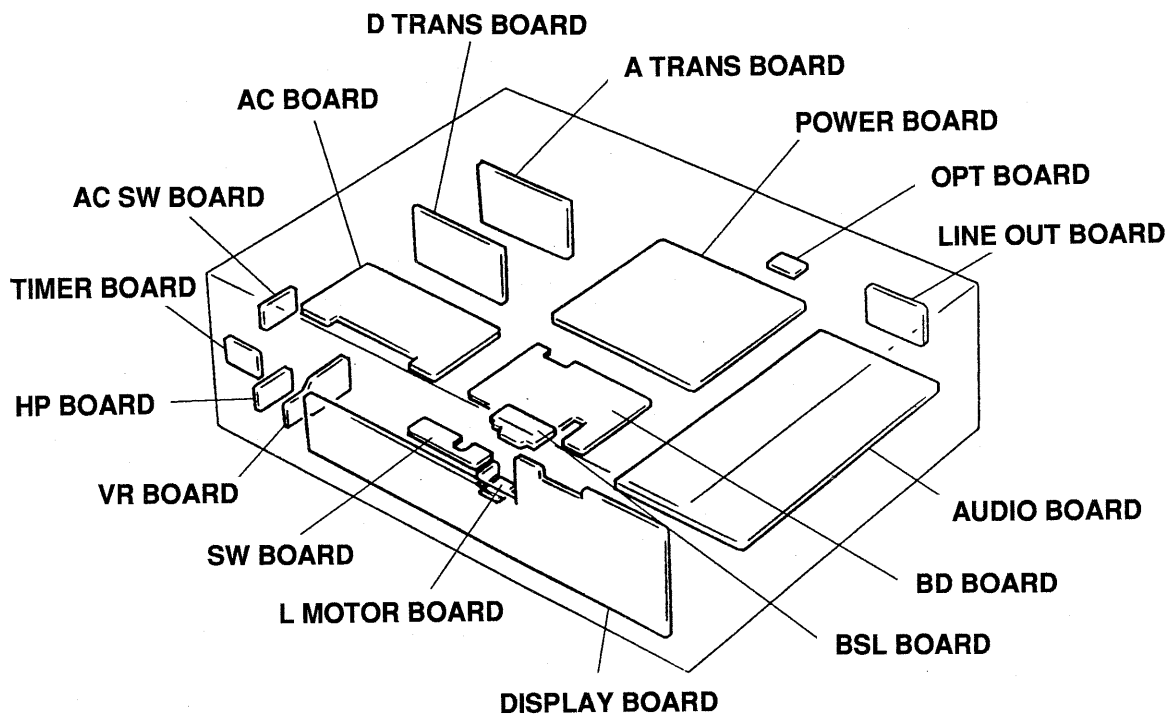


# SECTION 3 DIAGRAMS

## 3-1. BLOCK DIAGRAM



3-2. CIRCUIT BOARDS LOCATION



3-3. PRINTED WIRING BOARDS — MAIN SECTION —  
 -See page 9 for Circuit Boards Location.

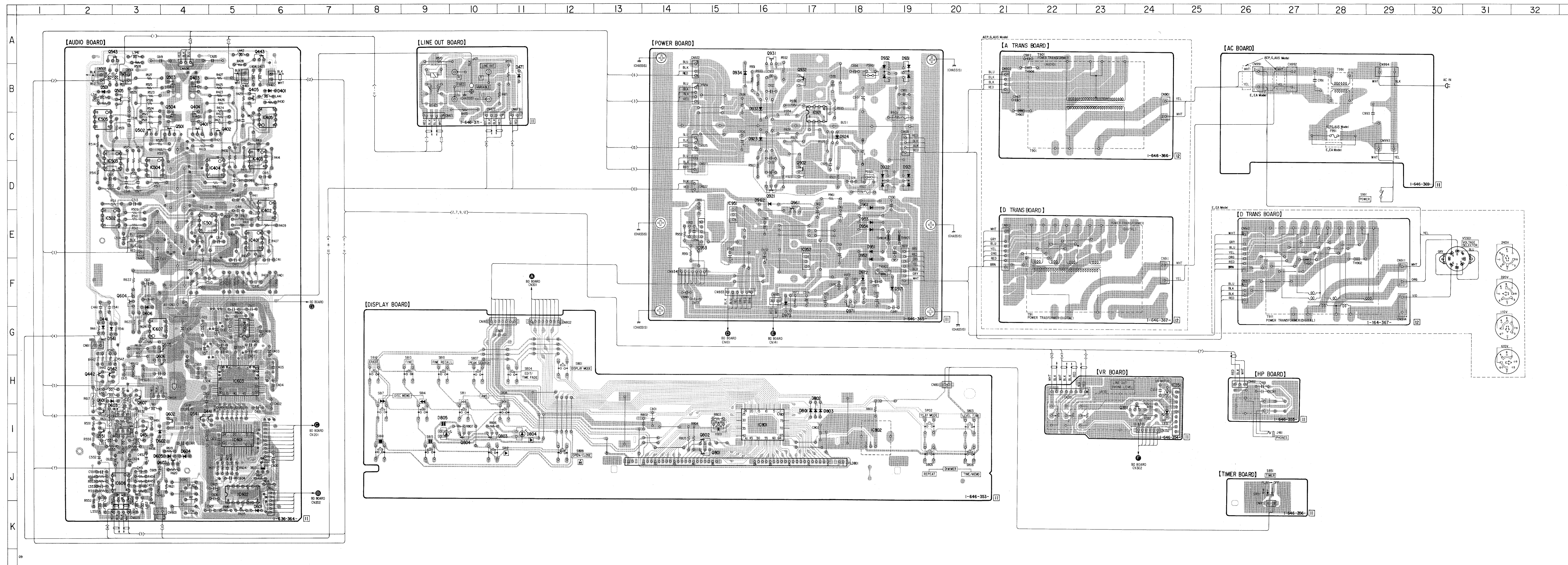
• Semiconductor Location

| Ref.No. | Location | Ref.No. | Location | Ref.No. | Location |
|---------|----------|---------|----------|---------|----------|
| D401    | B-6      | IC351   | I-25     | Q451    | I-3      |
| D411    | G-2      | IC401   | E-5      | Q501    | C-4      |
| D471    | B-11     | IC402   | E-6      | Q502    | C-3      |
| D501    | B-2      | IC403   | C-6      | Q503    | B-4      |
| D541    | G-2      | IC404   | D-5      | Q504    | C-4      |
| D601    | K-6      | IC405   | C-6      | Q505    | B-3      |
| D602    | I-3      | IC501   | E-4      | Q541    | I-4      |
| D603    | H-2      | IC502   | E-2      | Q542    | H-2      |
| D604    | J-4      | IC503   | C-3      | Q543    | A-3      |
| D605    | J-4      | IC504   | D-3      | Q551    | I-2      |
| D606    | G-3      | IC505   | C-2      | Q601    | I-2      |
| D801    | I-17     | IC601   | I-5      | Q602    | I-4      |
| D802    | I-17     | IC602   | J-5      | Q603    | J-4      |
| D803    | I-17     | IC603   | H-5      | Q604    | F-3      |
| D804    | I-11     | IC604   | G-5      | Q605    | G-3      |
| D805    | I-9      | IC606   | J-3      | Q606    | H-3      |
| D921    | D-19     | IC607   | G-3      | Q607    | H-3      |
| D922    | D-19     | IC801   | I-16     | Q801    | J-15     |
| D923    | C-16     | IC802   | I-18     | Q802    | I-15     |
| D924    | C-18     | IC921   | C-17     | Q803    | I-10     |
| D931    | B-19     | IC951   | E-15     | Q804    | I-10     |
| D932    | B-19     | IC952   | F-17     | Q921    | D-16     |
| D933    | B-16     | IC953   | E-15     | Q922    | D-17     |
| D934    | B-16     |         |          | Q931    | A-16     |
| D951    | E-18     | Q351    | I-24     | Q932    | B-17     |
| D952    | F-18     | Q401    | C-4      | Q961    | E-17     |
| D953    | E-18     | Q402    | C-5      | Q971    | F-18     |
| D954    | E-18     | Q403    | B-4      |         |          |
| D961    | D-18     | Q404    | C-4      |         |          |
| D962    | D-16     | Q405    | B-5      |         |          |
| D971    | F-19     | Q441    | I-5      |         |          |
| D972    | F-18     | Q442    | H-2      |         |          |
| D973    | F-16     | Q443    | A-6      |         |          |

Note:

- : parts extracted from the components side.
- : Through hole.
- : Pattern on the side which is seen.
- : Pattern of the rear side.

- AUS : Australian Model
- G : German Model
- EA : Saudi Arabia Model

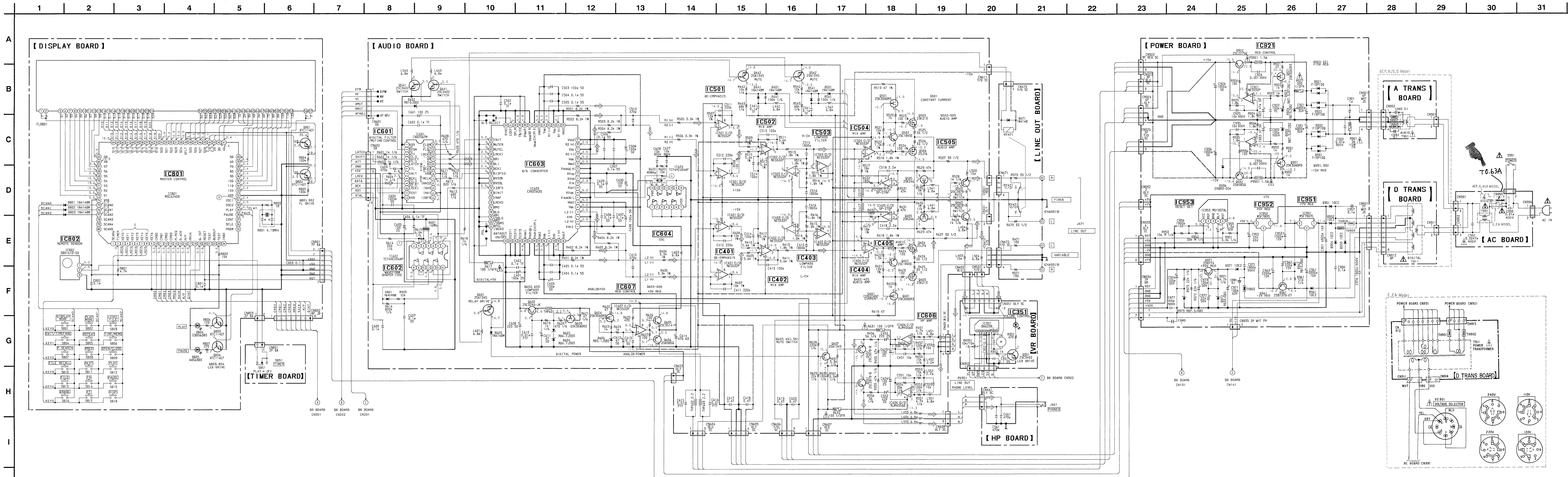


- 1 4.9 Vp-p  
10MHz  
IC301 ⊗
- 2 approx. 50m Vp-p  
IC101 ⊗ PLAY
- 3 0V  
approx. 0.1 Vp-p  
IC101 ⊗ PLAY
- 4 1.2 Vp-p  
IC101 ⊗ PLAY
- 5 3.2 Vp-p  
45MHz  
IC604 ⊗
- 6 1.8 Vp-p  
16MHz  
IC602 ⊗
- 7 3.6 Vp-p  
4.19MHz  
IC801 ⊗



REVISED

3-4. SCHEMATIC DIAGRAM — MAIN SECTION —  
• See page 28 for Semiconductor Lead Layouts and 29, 30 for IC Block Diagrams.



**Note:**

- All capacitors are in  $\mu\text{F}$  unless otherwise noted.  $\text{pF}$ ,  $\mu\text{F}$ , 50V or less are not indicated except for electrolytics and tantalums.
- All resistors are in  $\Omega$  and 1/4W or less unless otherwise specified.
- $\Delta$ : internal component.
- $\square$ : nonflammable resistor.
- $\square$ : fusible resistor.

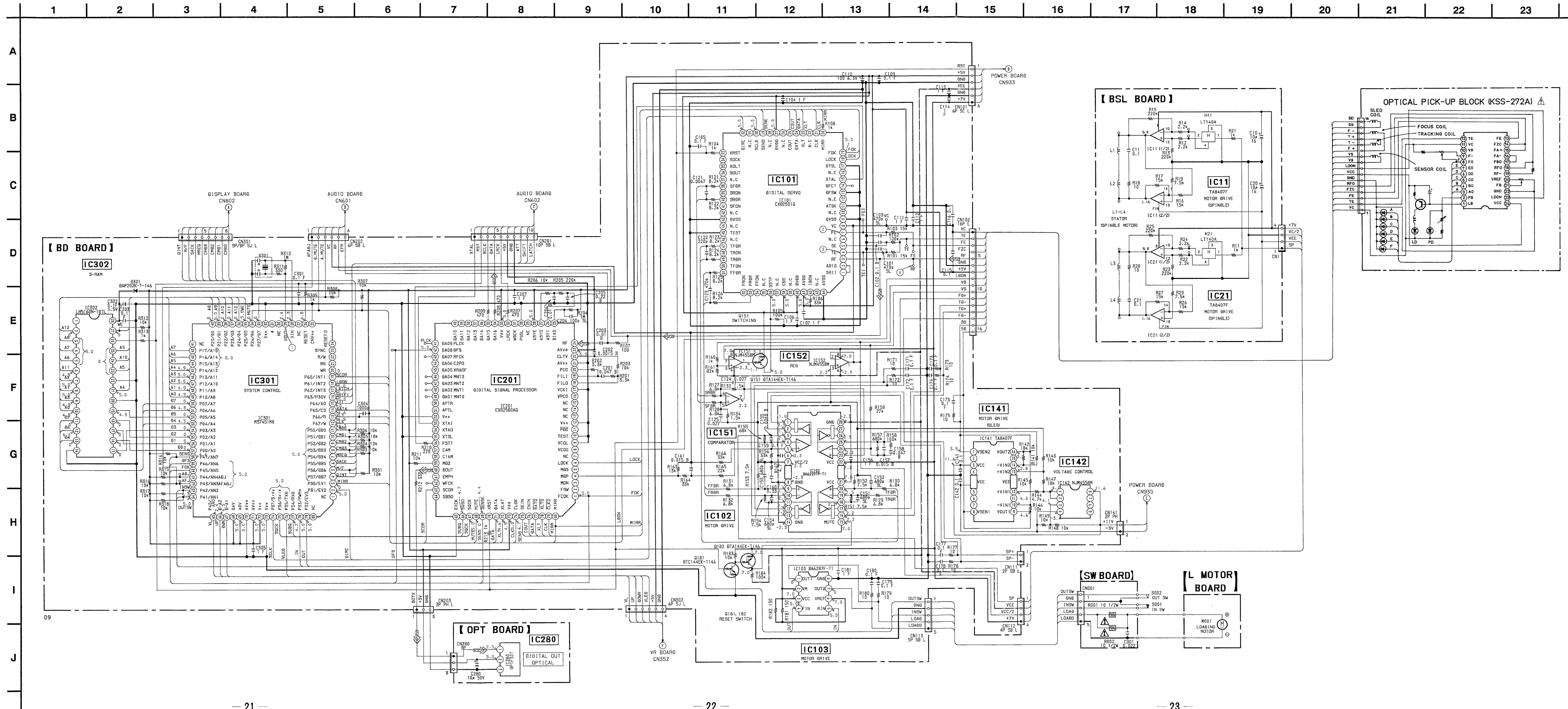
**Note:** The components identified by mark  $\Delta$  or dotted line with mark  $\Delta$  are critical for safety. Replace only with part number specified.

- - - - - : B+ Line  
 - - - - - : B- Line  
 Voltage and waveforms are dc with respect to ground under no-signal conditions.  
 no mark : STOP  
 ( ) : PLAY  
 Voltages are taken with a VOM (input impedance 10M $\Omega$ ). Voltage variations may be noted due to normal production tolerances.  
 Waveforms are taken with a oscilloscope. Voltage variations may be noted due to normal production tolerances.  
 Circled numbers refer to waveforms.  
 $\Rightarrow$  : CD  
 $\Rightarrow$  : digital out

•AUS : Australian Model  
 •G : German Model  
 •EA : Saudi Arabia Model

3-5. SCHEMATIC DIAGRAM — BD SECTION —

- See page 28 for Semiconductor Lead Layouts and 29, 30 for IC Block Diagrams.
- See page 14 for Waveform.



- Note:**
- All capacitors are in  $\mu\text{F}$  unless otherwise noted. pF- $\mu\text{F}$  50WV or less are not indicated except for electrolytics and tantalums.
  - All resistors are in  $\Omega$  and 1/4W or less unless otherwise specified.
  - $\Delta$ : internal component.
  - $\square$ : nonflammable resistor.
  - $\square$ : fusible resistor.

**Note:** The components identified by mark  $\Delta$  or dotted line with mark  $\Delta$  are critical for safety. Replace only with part number specified.

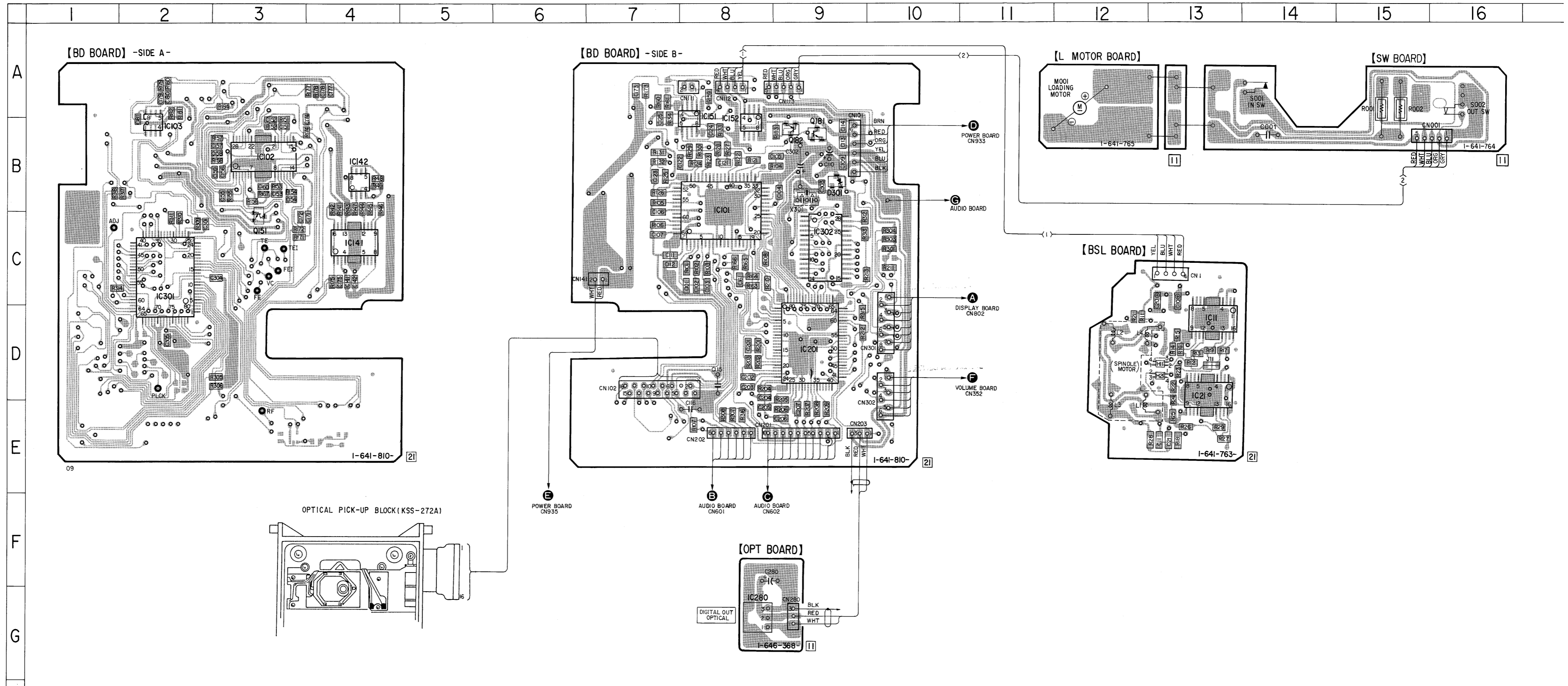
- ———: B+ Line
- - - - - -: B- Line
- Voltage and waveforms are dc with respect to ground under no-signal conditions. no mark: STOP ( ): PLAY
- Voltages are taken with a VOM (Input impedance 10M $\Omega$ ). Voltage variations may be noted due to normal production tolerances.
- Waveforms are taken with an oscilloscope. Voltage variations may be noted due to normal production tolerances.
- Circled numbers refer to waveforms.
- Signal path.
- $\Rightarrow$ : CD
- $\Rightarrow$ : digital out

**3-6. PRINTED WIRING BOARDS — BD SECTION —**  
**•See page 9 for Circuit Boards Location.**

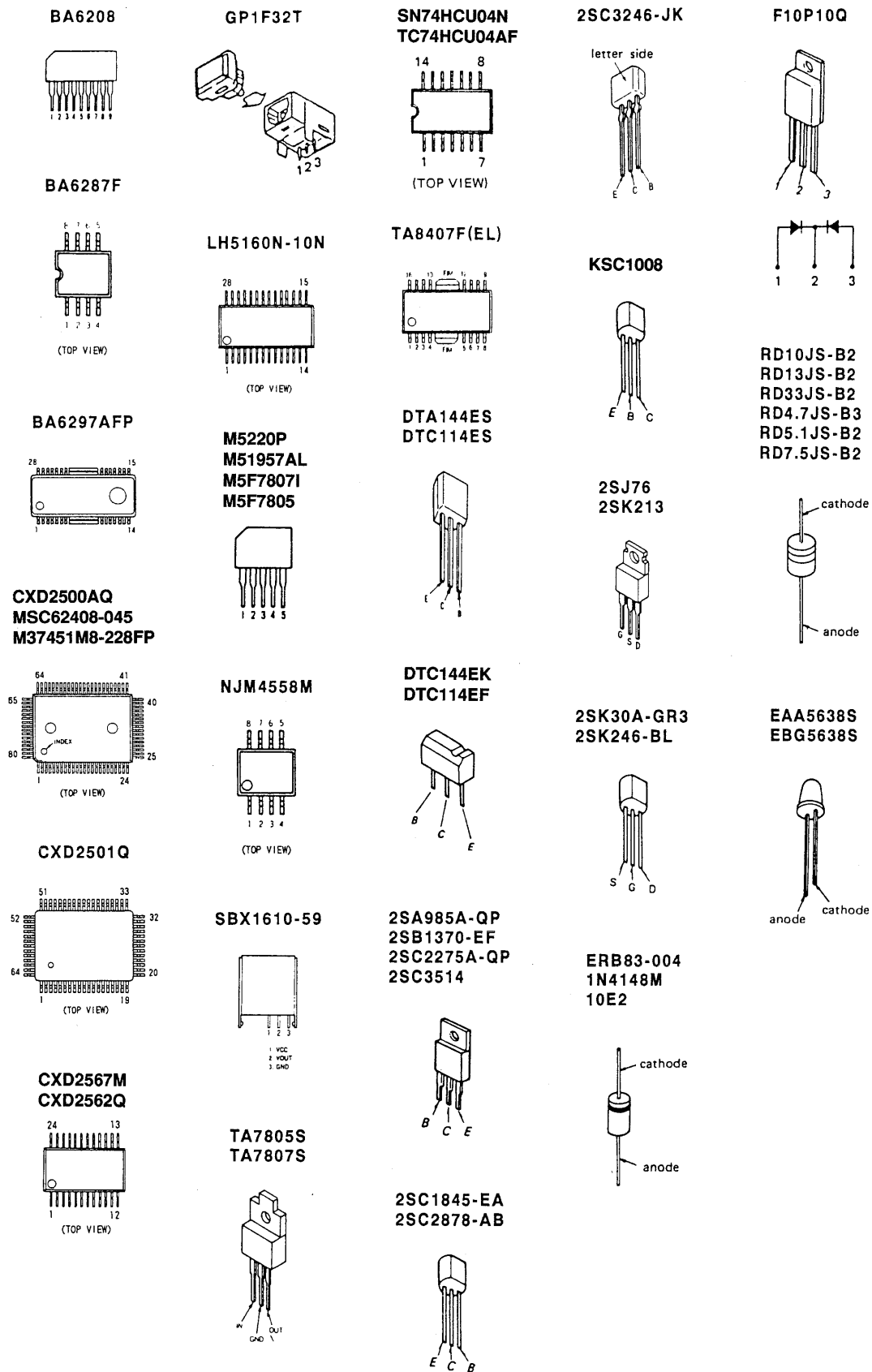
- Note:**
- — : parts extracted from the components side.
  - ○ : Through hole.
  - ◻ : Pattern on the side which is seen.
  - BSL Board is a two-layer print board, However, the patterns of rear side have not been included in the diagram.

**• Semiconductor Location**

| Ref.No. | Location |
|---------|----------|
| D301    | B-9      |
| IC101   | C-8      |
| IC102   | B-3      |
| IC103   | B-2      |
| IC141   | C-4      |
| IC142   | B-4      |
| IC151   | B-8      |
| IC152   | B-8      |
| IC201   | D-9      |
| IC280   | G-8      |
| IC301   | C-2      |
| IC302   | C-9      |
| Q151    | C-3      |
| Q181    | B-9      |
| Q182    | B-9      |

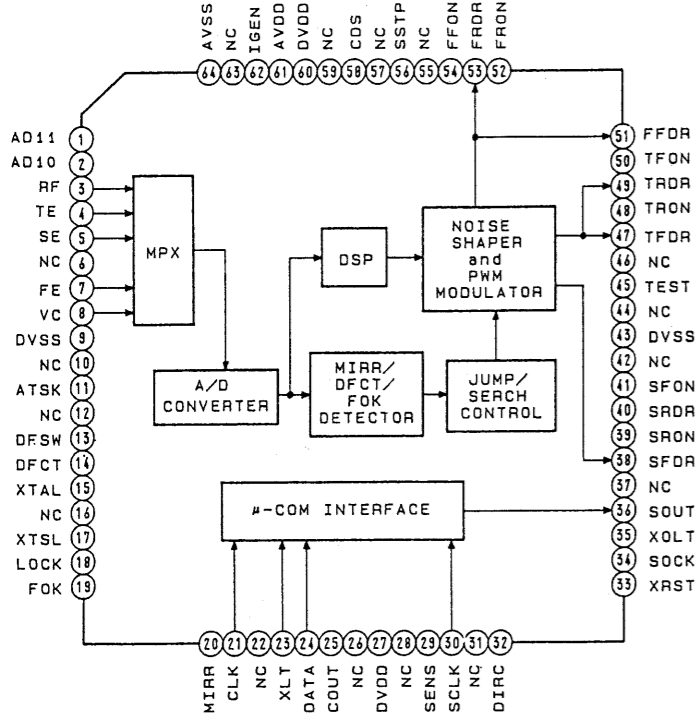


3-7. SEMICONDUCTOR LEAD LAYOUTS

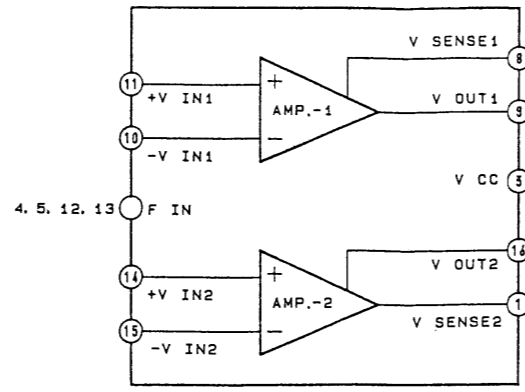


3-8. IC BLOCK DIAGRAM

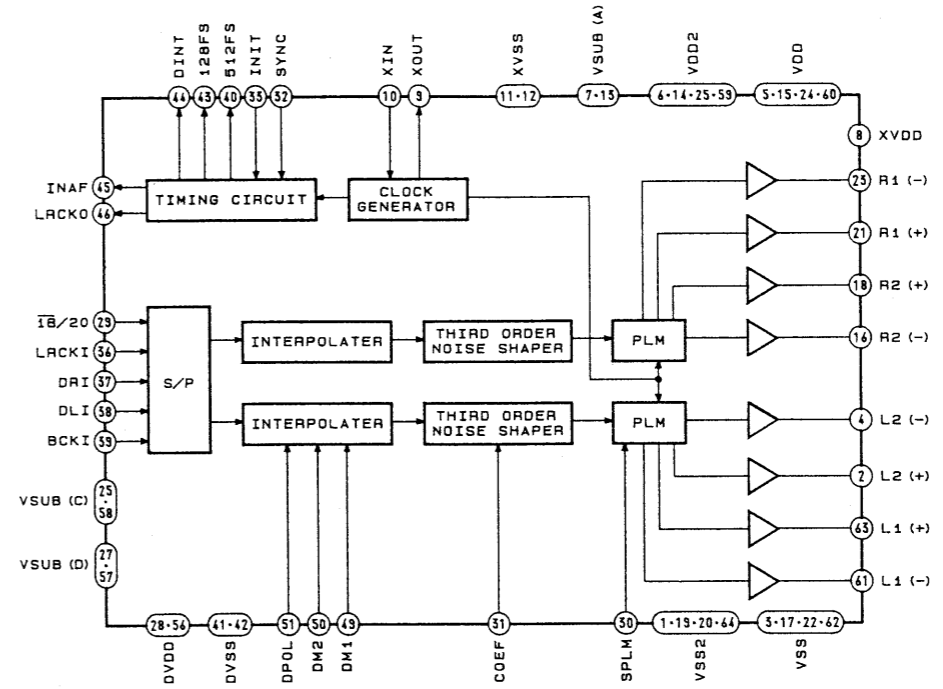
IC101 CXD2501Q



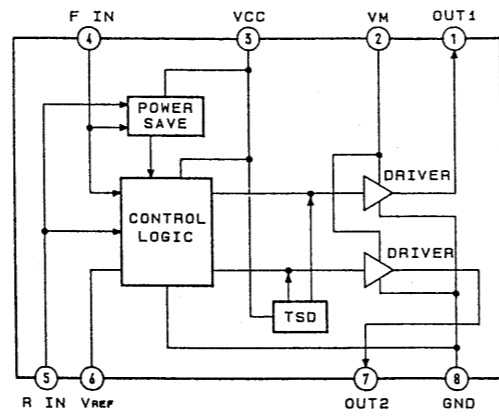
IC11, 21, 141 TA8407F



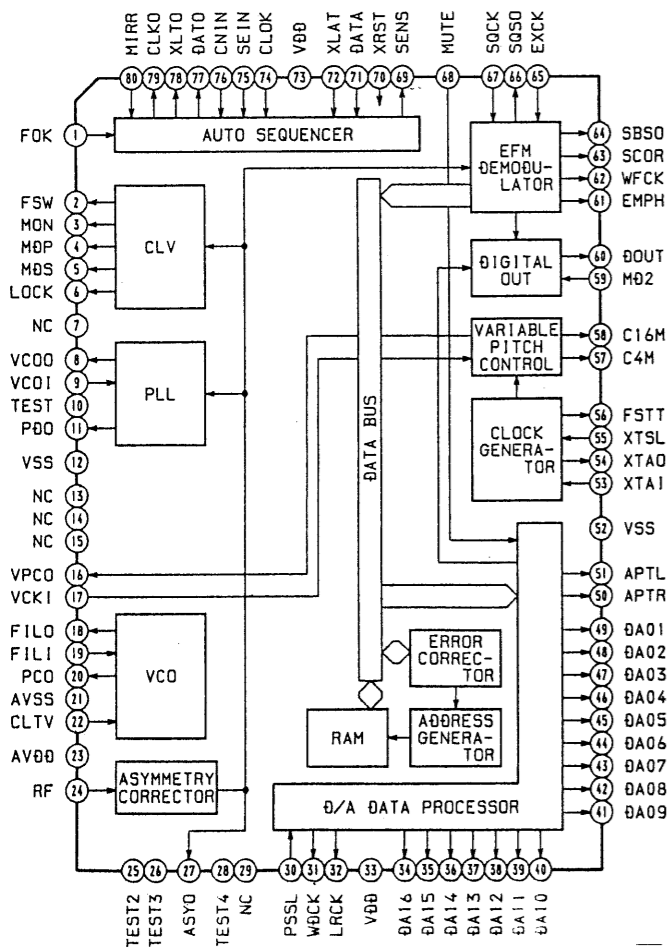
IC603 CXD2562Q



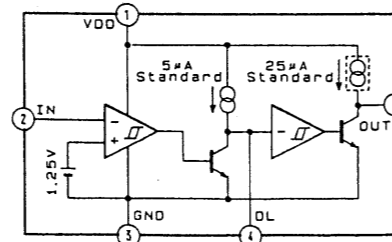
IC103 BA6287F-T1



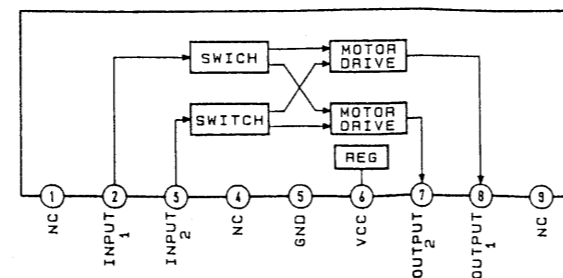
IC201 CXD2500AQ



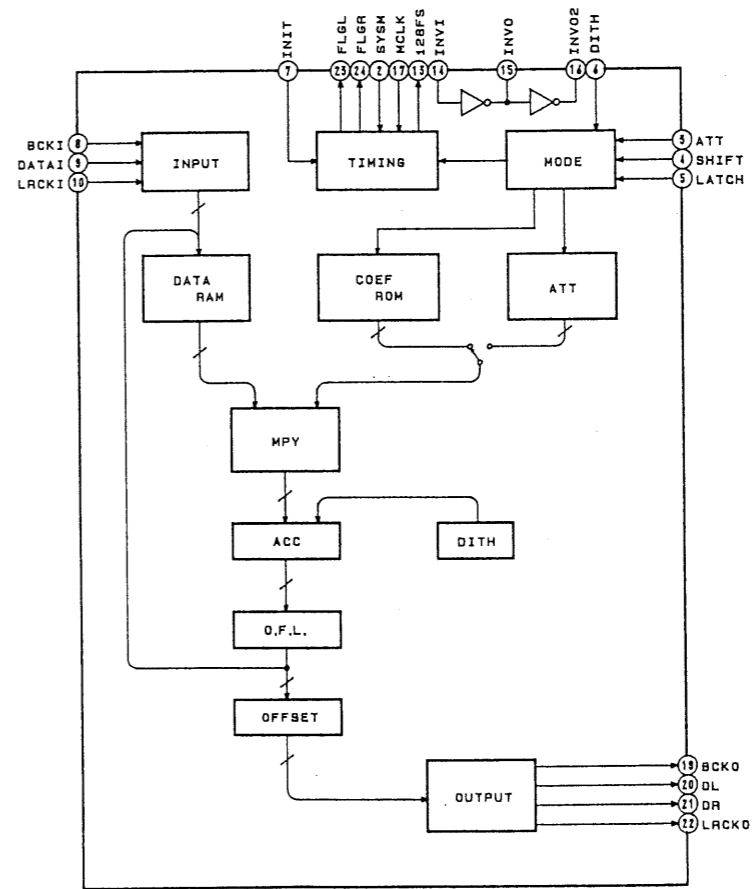
IC953 M51957AL



IC351 BA6208



IC601 CXD2567M



## SECTION 4 EXPLODED VIEWS

**NOTE:**

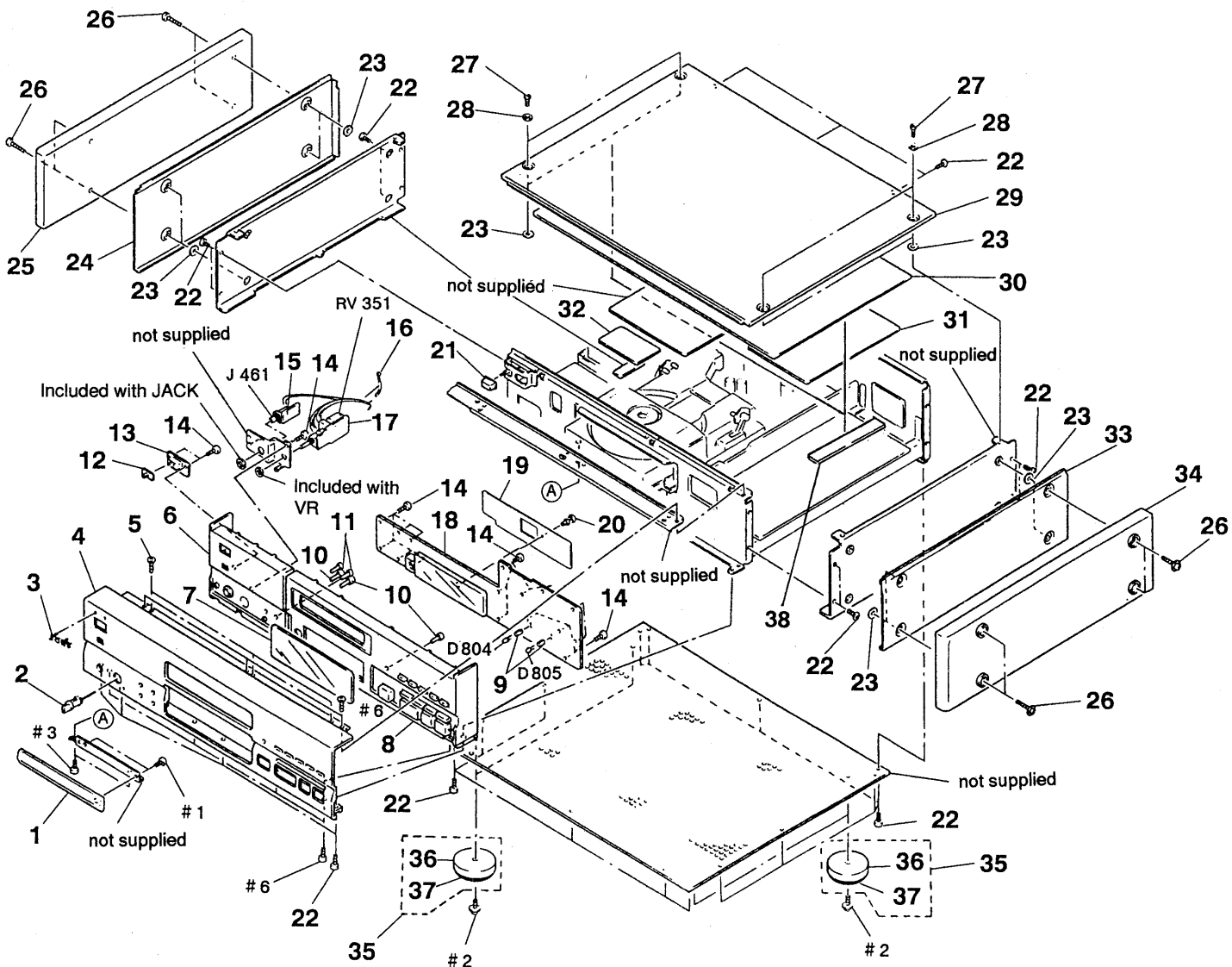
- -XX, -X mean standardized parts, so they may have some difference from the original one.
- Color Indication of Appearance Parts  
Example:  
KNOB, BALANCE (WHITE) . . . (RED)  
                  ↑                                  ↑  
Parts color                  Cabinet's color

- Items marked “ \* ” are not stocked since they are seldom required for routine service. Some delay should be anticipated when ordering these items.
- The mechanical parts with no reference number in the exploded views are not supplied.
- Hardware (# mark) list is given in the last of this parts list.

- AUS : Australian model
- EA : Saudi Arabia model
- G : German model

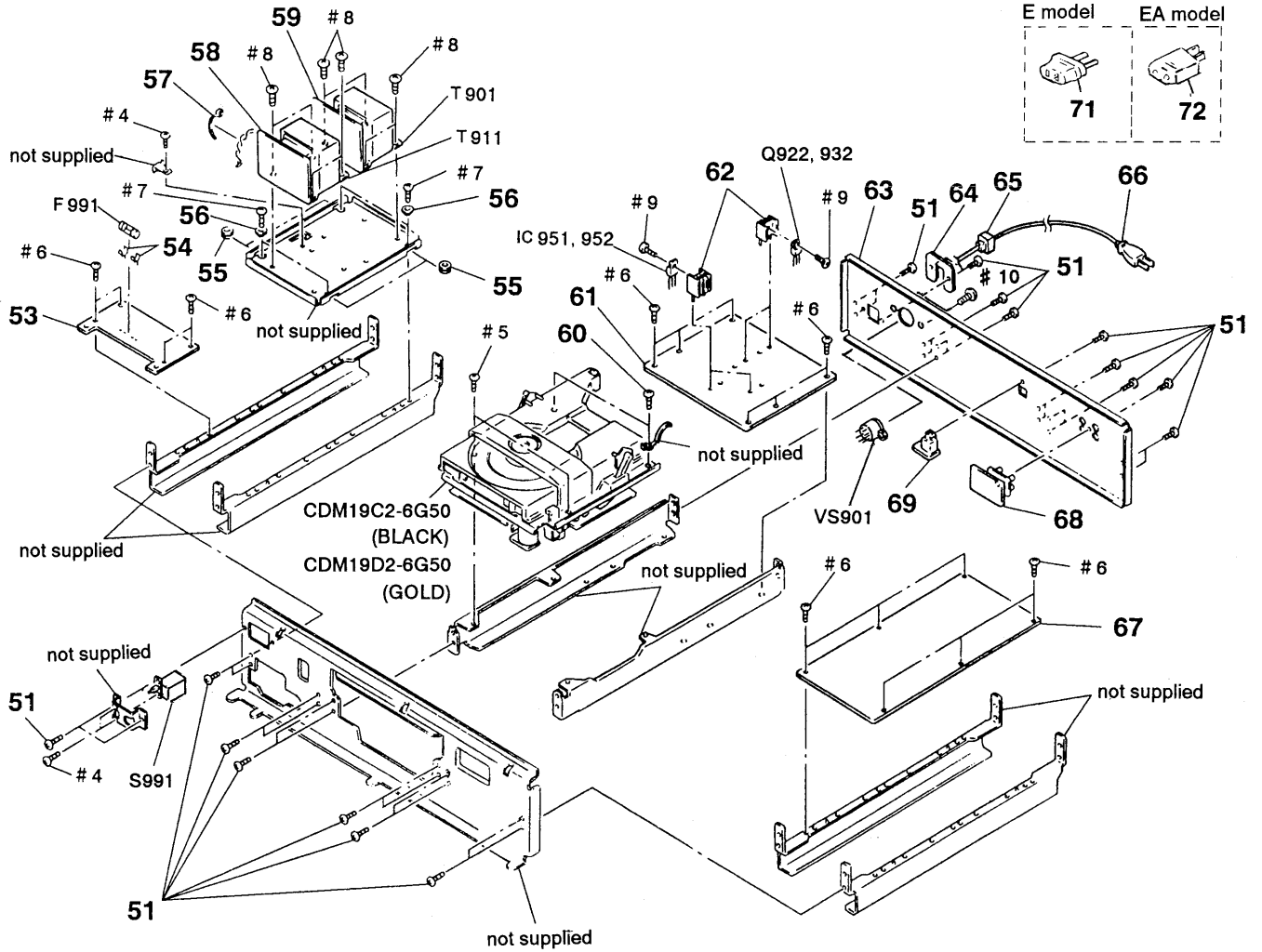
The components identified by mark or dotted line with mark are critical for safety. Replace only with part number specified.

### 4-1. FRONT PANEL AND CABINET ASSEMBLIES



| Ref. No. | Part No.     | Description   | Remark | Ref. No. | Part No.     | Description                                      | Remark |
|----------|--------------|---|--------|----------|--------------|--|--------|
| 1        | 4-955-072-01 | PANEL, LOADING (BLACK:AEP, G, E, EA, AUS)             |        | 38       | 4-389-350-01 | CUSHION, CRT                                     |        |
| 1        | 4-955-072-11 | PANEL, LOADING (GOLD:AEP, G)                          |        | D804     | 8-719-913-49 | LED EBG5638S (▶)                                 |        |
| 2        | A-4604-901-A | KNOB (HP) ASSY (BLACK:AEP, G, E, EA, AUS)             |        | D805     | 8-719-913-47 | LED EAA5638S (◀)                                 |        |
| 2        | A-4604-952-B | KNOB (VOL) ASSY (GOLD:AEP, G)                         |        | J461     | 1-568-519-31 | JACK, LARGE TYPE (BLACK) (PHONES)                |        |
| 3        | 4-942-568-01 | EMBLEM (NO. 5), SONY (BLACK:AEP, G, E, EA, AUS)       |        | J461     | 1-568-519-61 | JACK, LARGE TYPE (GOLD) (PHONES)                 |        |
| 3        | 4-942-568-11 | EMBLEM (NO. 5), SONY (GOLD:AEP, G)                    |        | RV351    | 1-241-321-11 | RES, VAR, CARBON 10KX3<br>(LINE OUT/PHONE LEVEL) |        |
| 4        | 4-955-053-31 | PANEL, FRONT (BLACK:AEP, E, EA, G)                    |        |          |              |  |        |
| 4        | 4-955-053-41 | PANEL, FRONT (GOLD:AEP, G)                            |        |          |              |  |        |
| 4        | 4-955-053-21 | PANEL, FRONT (AUS)                                    |        |          |              |  |        |
| 5        | 3-703-685-21 | SCREW (+BV 3X8)                                       |        |          |              |  |        |
| 6        | 4-955-058-01 | PANEL (BASE L) (BLACK:AEP, G, E, EA, AUS)             |        |          |              |  |        |
| 6        | 4-955-058-11 | PANEL (BASE L) (GOLD:AEP, G)                          |        |          |              |  |        |
| 7        | 4-955-059-01 | PLATE, INDICATION                                     |        |          |              |  |        |
| 8        | X-4943-005-1 | BASE (R) ASSY, PANEL (GOLD)                           |        |          |              |  |        |
| 8        | X-4943-006-1 | BASE (R) ASSY, PANEL (BLACK)                          |        |          |              |  |        |
| * 9      | 4-923-532-01 | SPACER, LED   |        |          |              |  |        |
| 10       | 4-955-075-01 | BUTTON (LEVEL-F) (BLACK:AEP, G, E, EA, AUS)           |        |          |              |  |        |
| 10       | 4-955-075-11 | BUTTON (LEVEL-F) (GOLD:AEP, G)                        |        |          |              |  |        |
| 11       | 4-955-077-01 | BUTTON (TIME/M) (BLACK:AEP, G, E, EA, AUS)            |        |          |              |  |        |
| 11       | 4-955-077-11 | BUTTON (TIME/M) (GOLD:AEP, G)                         |        |          |              |  |        |
| 12       | 4-922-518-11 | KNOB (TIMER) (BLACK:AEP, G, E, EA, AUS)               |        |          |              |  |        |
| 12       | 4-922-518-62 | KNOB (TIMER) (GOLD:AEP, G)                            |        |          |              |  |        |
| * 13     | 1-646-356-11 | TIMER BOARD   |        |          |              |  |        |
| 14       | 4-951-620-01 | SCREW (2. 6X8), +BVTP                                 |        |          |              |  |        |
| * 15     | 1-646-355-11 | HP BOARD  |        |          |              |  |        |
| 16       | 3-655-653-21 | BAND (TAITON), BINDING                                |        |          |              |  |        |
| * 17     | 1-646-354-11 | VR BOARD  |        |          |              |  |        |
| * 18     | A-4649-423-A | DISP BOARD, COMPLETE                                  |        |          |              |  |        |
| * 19     | 4-955-888-01 | COVER (CABLE)   |        |          |              |  |        |
| 20       | 3-531-576-11 | RIVET   |        |          |              |  |        |
| 21       | 4-923-520-41 | KNOB, POWER (GOLD:AEP, G)                             |        |          |              |  |        |
| 21       | 4-923-520-51 | KNOB, POWER (BLACK:AEP, G, E, EA, AUS)                |        |          |              |  |        |
| 22       | 4-929-074-01 | SCREW (3X8)   |        |          |              |  |        |
| 23       | 4-935-917-01 | WASHER (CASE)   |        |          |              |  |        |
| 24       | 4-925-368-11 | CASE (LEFT) (BLACK:AEP, G, E, EA, AUS)                |        |          |              |  |        |
| 24       | 4-925-368-21 | CASE (LEFT) (GOLD:AEP, G)                             |        |          |              |  |        |
| 25       | X-4928-001-1 | PLATE (LEFT) ASSY, SIDE (E, EA)                       |        |          |              |  |        |
| 25       | X-4941-168-2 | PLATE (L) ASSY, SIDE, ORNAMENTAL<br>(GOLD:AEP, G)     |        |          |              |  |        |
| 25       | X-4941-204-1 | PRATE (L) ASSY, ORNAMENTAL SIDE<br>(BLACK:AEP, G)     |        |          |              |  |        |
| 26       | 4-885-979-11 | SCREW (4X25) (EXCEPT FOR AUS)                         |        |          |              |  |        |
| 26       | 4-847-802-00 | SCREW (AUS)   |        |          |              |  |        |
| 27       | 4-924-242-01 | SCREW (M3X6), FLAT HEAD (GOLD:AEP, G)                 |        |          |              |  |        |
| 27       | 4-924-242-11 | SCREW (M3X6), FLAT HEAD<br>(BLACK:AEP, G, E, EA, AUS) |        |          |              |  |        |
| 28       | 4-928-025-11 | ESCUTCHEON (TOP PLATE)<br>(BLACK:AEP, G, E, EA, AUS)  |        |          |              |  |        |
| 28       | 4-928-025-41 | ESCUTCHEON (TOP PLATE) (GOLD:AEP, G)                  |        |          |              |  |        |
| 29       | 4-925-367-21 | CASE (TOP PLATE) (BLACK:AEP, G, E, EA, AUS)           |        |          |              |  |        |
| 29       | 4-925-367-31 | CASE (TOP PLATE) (GOLD:AEP, G)                        |        |          |              |  |        |
| 30       | A-4675-309-A | REINFORCEMENT (TOP PLATE) ASSY                        |        |          |              |  |        |
| * 31     | 4-913-189-01 | FELT (B), ACOUSTIC ABSORBENT                          |        |          |              |  |        |
| * 32     | 4-923-563-01 | CUSHION   |        |          |              |  |        |
| 33       | 4-925-369-11 | CASE (RIGHT) (BLACK:AEP, E, EA, G)                    |        |          |              |  |        |
| 33       | 4-925-369-21 | CASE (RIGHT) (GOLD:AEP, G)                            |        |          |              |  |        |
| 33       | 4-925-369-11 | CASE (RIGHT) (AUS)                                    |        |          |              |  |        |
| 34       | X-4928-002-1 | PLATE (RIGHT) ASSY, SIDE (E, EA)                      |        |          |              |  |        |
| 34       | X-4941-169-2 | PLATE (R) ASSY, SIDE, ORNAMENTAL<br>(GOLD:AEP, G)     |        |          |              |  |        |
| 34       | X-4941-205-1 | PRATE (R) ASSY, ORNAMENTAL SIDE<br>(BLACK:AEP, G)     |        |          |              |  |        |
| 35       | X-4922-549-1 | FOOT ASSY (BLACK:AEP, G, E, EA, AUS)                  |        |          |              |  |        |
| 35       | X-4941-711-1 | FOOT ASSY (GOLD:AEP, G)                               |        |          |              |  |        |
| 36       | 4-922-543-01 | FOOT (BLACK:AEP, G, E, EA, AUS)                       |        |          |              |  |        |
| * 37     | 4-925-370-02 | BASE, FOOT (BLACK:AEP, G)                             |        |          |              |  |        |

## 4-2. CHASSIS SECTION

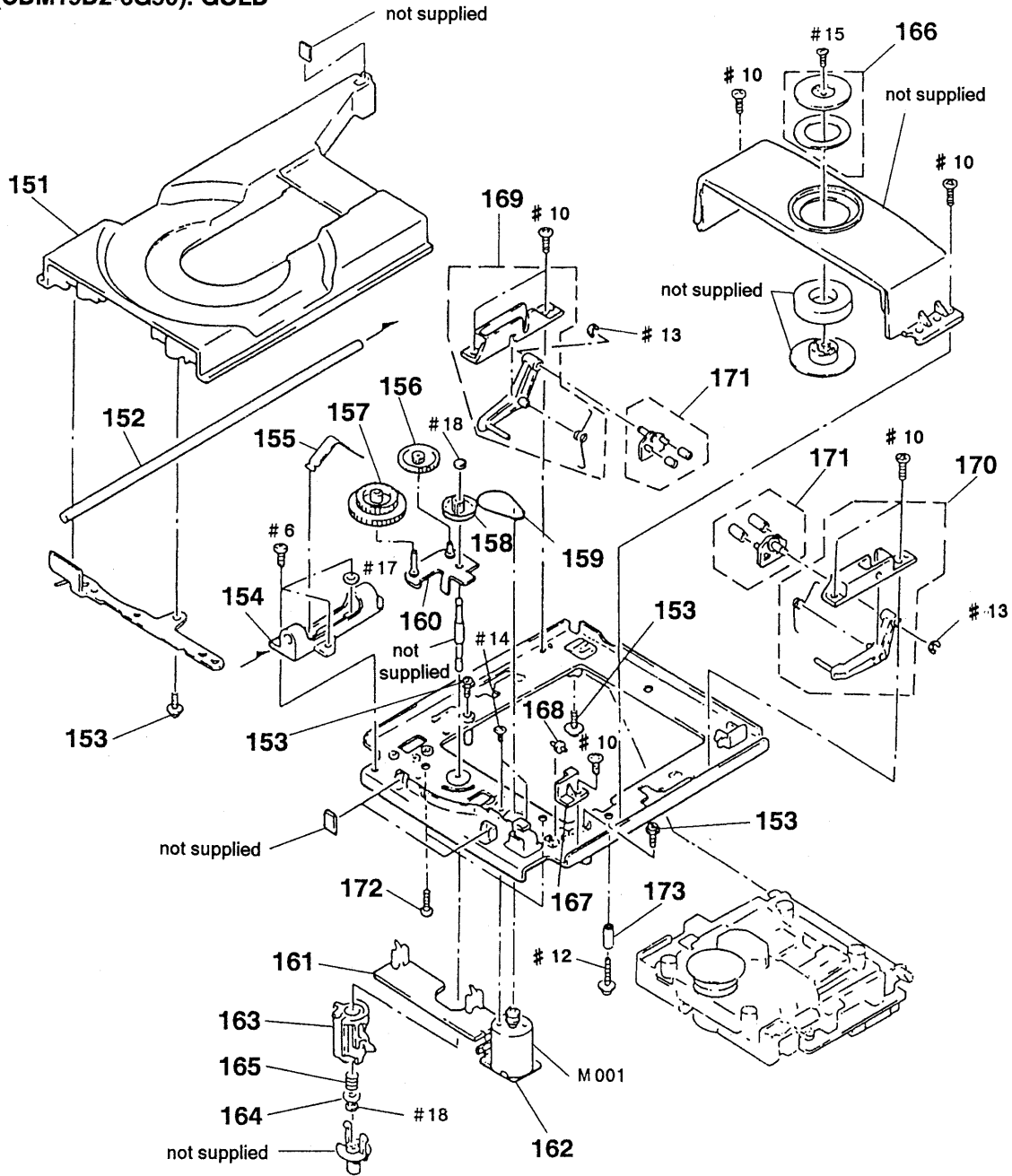


The components identified by mark  $\triangle$  or dotted line with mark  $\triangle$  are critical for safety. Replace only with part number specified.

| Ref. No. | Part No.     | Description   | Remark | Ref. No.          | Part No.     | Description   | Remark |
|----------|--------------|---|--------|-------------------|--------------|---|--------|
| 51       | 4-929-074-01 | SCREW (3X8)   |        | $\triangle$ 66    | 1-558-181-21 | CORD, POWER (E, EA)                                   |        |
| * 53     | 1-646-369-11 | AC BOARD  |        | $\triangle$ 66    | 1-558-568-21 | CORD, POWER (AEP, G)                                  |        |
| 54       | 1-533-233-11 | HOLDER, FUSE (AEP, G, AUS)                          |        | $\triangle$ 66    | 1-751-060-11 | CORD, POWER (AUS)                                     |        |
| * 55     | 4-888-798-00 | BUSHING, RUBBER                                     |        | * 67              | A-4649-410-A | AUDIO BOARD, COMPLETE                                 |        |
| 56       | 4-928-032-01 | COLLAR (A)  |        | * 68              | 1-646-371-11 | LINE BOARD  |        |
| 57       | 3-655-653-21 | BAND (TAITON), BINDING                              |        | * 69              | 1-646-368-11 | OPT BOARD   |        |
| * 58     | 1-646-367-11 | D. TRANS BOARD                                      |        | $\triangle$ 71    | 1-569-007-11 | ADAPTER, CONVERSION 2P (E)                            |        |
| * 59     | 1-646-366-11 | A. TRANS BOARD (AEP, G, AUS)                        |        | $\triangle$ 72    | 1-569-008-11 | ADAPTER, CONVERSION 2P (EA)                           |        |
| 60       | 3-703-685-21 | SCREW (+BV 3X8)                                     |        | $\triangle$ F991  | 1-532-284-00 | FUSE, TIME-LAG (0.63A) (AEP, AUS, G)                  |        |
| * 61     | A-4649-709-A | POWER BOARD, COMPLETE                               |        | IC951             | 8-759-071-48 | IC M5F7807L   |        |
| * 62     | 4-363-146-00 | HEAT SINK, V. OUT                                   |        | IC952             | 8-759-231-53 | IC M5F7805  |        |
| * 63     | 4-955-052-22 | PANEL, BACK (BROWN) (GOLD:AEP, G)                   |        | Q922              | 8-729-107-53 | TRANSISTOR 2SC2275A                                   |        |
| * 63     | 4-955-052-32 | PANEL, BACK (BLACK) (BLACK:AEP, G)                  |        | Q932              | 8-729-141-10 | TRANSISTOR 2SA985A                                    |        |
| * 63     | 4-955-052-41 | PANEL, BACK (BLACK) (E, EA)                         |        | $\triangle$ T901  | 1-423-461-11 | TRANSFORMER, POWER (AUDIO) (AEP, AUS, G)              |        |
| * 63     | 4-955-052-52 | PANEL, BACK (BLACK) (AUS)                           |        | $\triangle$ T911  | 1-423-459-11 | TRANSFORMER, POWER (E, EA)                            |        |
| * 64     | 4-923-873-01 | BRACKET, CORD STOPPER<br>(BLACK:AEP, G, E, EA, AUS) |        | $\triangle$ T911  | 1-423-460-11 | TRANSFORMER, POWER (DIGITAL) (AEP, AUS, G)            |        |
| * 64     | 4-923-873-11 | BRACKET, CORD STOPPER (DARK GRAY)<br>(GOLD:AEP, G)  |        | $\triangle$ VS901 | 1-526-576-51 | SELECTOR, POWER VOLTAGE<br>(VOLTAGE SELECTOR) (E, EA) |        |
| * 65     | 3-703-244-00 | BUSHING (2104), CORD                                |        | $\triangle$ S991  | 1-572-267-21 | SWITCH, PUSH (AC POWER) (1 KEY)                       |        |

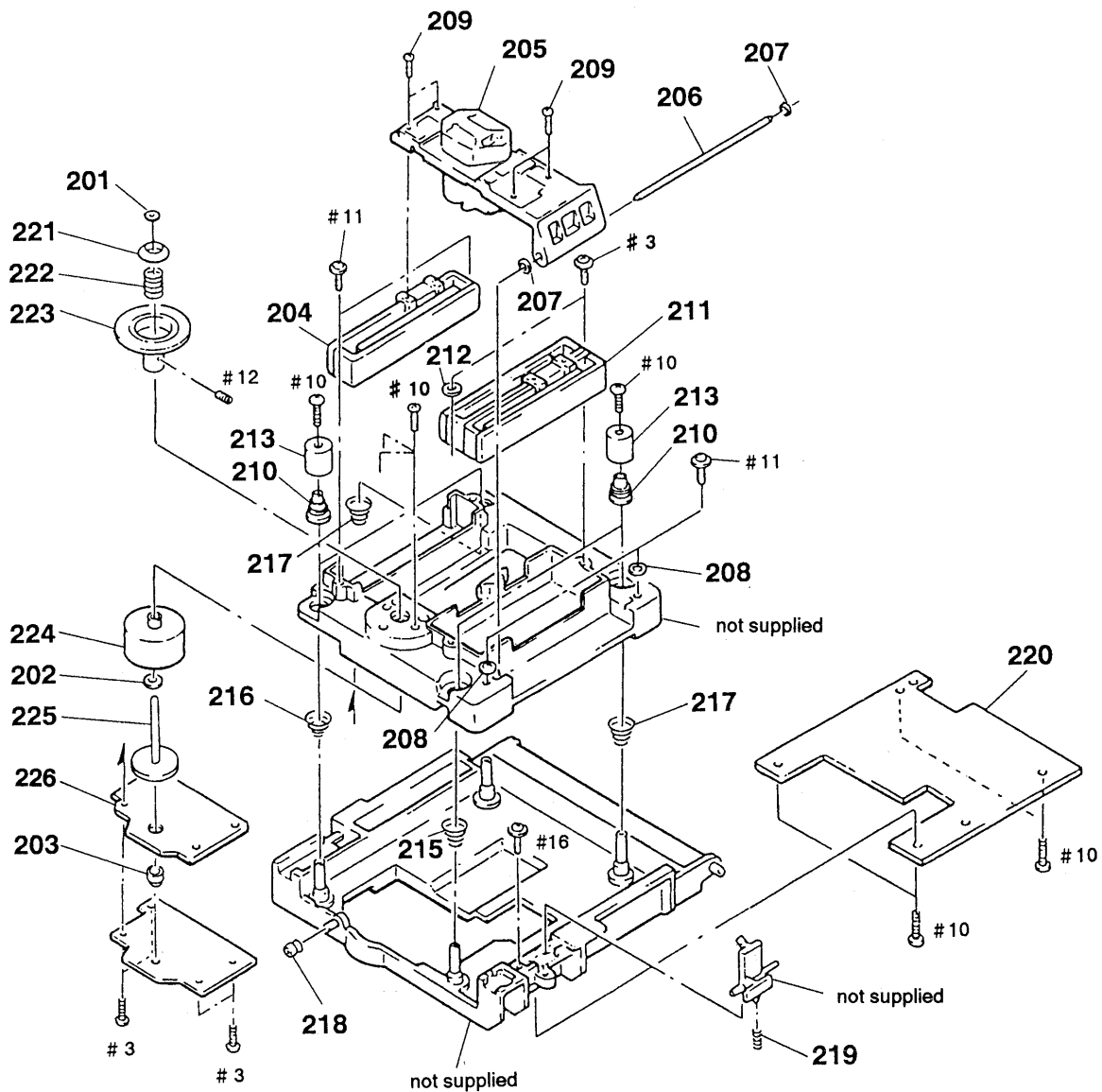


**4-3. CD MECHANISM BLOCK SECTION  
(CDM19C2-6G50): BLACK  
(CDM19D2-6G50): GOLD**



| Ref. No. | Part No.     | Description         | Remark | Ref. No. | Part No.     | Description                  | Remark |
|----------|--------------|---------------------|--------|----------|--------------|------------------------------|--------|
| 151      | 4-948-353-01 | TABLE, DISC (BLACK) |        | * 163    | 4-948-371-01 | CAM (BU)                     |        |
| 151      | 4-948-353-11 | TABLE, DISC (GOLD)  |        | 164      | 4-927-654-01 | WASHER (LIMITER)             |        |
| * 152    | 4-948-368-01 | BAR (MAIN), GUIDE   |        | 165      | 3-659-338-00 | SPRING, COMPRESSION          |        |
| * 153    | 4-917-583-21 | BRACKET, YOKE       |        | 166      | A-4660-292-A | MAGNET ASSY                  |        |
| * 154    | 4-948-360-01 | BEARING, LOADING    |        | * 167    | 4-948-361-01 | GUIDE, LOADING               |        |
| * 155    | 4-927-648-01 | SLIDER (GROUND)     |        | 168      | 4-927-627-01 | ROLLER (S, G)                |        |
| 156      | 4-927-628-01 | GEAR (C)            |        | 169      | A-4660-258-A | LEVER (L) (STABLE LOCK) ASSY |        |
| 157      | 4-927-620-01 | GEAR (P)            |        | 170      | A-4660-259-A | LEVER (R) (STABLE LOCK) ASSY |        |
| 158      | 4-929-724-01 | PULLEY (B)          |        | 171      | X-4942-969-2 | DAMPER (STABLE LOCK 2) ASSY  |        |
| 159      | 4-927-649-01 | BELT                |        | 172      | 3-703-685-21 | SCREW (+BY 3X8)              |        |
| 160      | X-4927-608-1 | ARM ASSY, SWING     |        | 173      | 3-654-603-00 | SPACER                       |        |
| * 161    | 1-641-764-11 | SW BOARD            |        | M001     | A-4604-347-A | MOTOR (L) ASSY               |        |
| * 162    | 1-641-765-11 | L. MOTOR BOARD      |        |          |              |                              |        |

4-4. BASE UNIT SECTION  
(BU-6G)



The components identified by mark  $\triangle$  or dotted line with mark  $\triangle$  are critical for safety. Replace only with part number specified.

| Ref. No.        | Part No.     | Description                | Remark | Ref. No. | Part No.     | Description         | Remark |
|-----------------|--------------|----------------------------|--------|----------|--------------|---------------------|--------|
| 201             | 4-947-420-01 | RING (DIA 2.53), RETAINING |        | 215      | 4-948-375-01 | SPRING (F), COIL    |        |
| 202             | 3-701-439-11 | WASHER ( $\phi$ 3)         |        | 216      | 4-917-573-01 | SPRING (E), COIL    |        |
| 203             | 4-943-342-01 | BEARING                    |        | 217      | 4-917-571-01 | SPRING (A), COIL    |        |
| 204             | A-4638-084-A | SENSOR ASSY, SPEED         |        | 218      | 4-927-631-01 | ROLLER (L)          |        |
| $\triangle$ 205 | 8-848-244-11 | DEVICE, OPTICAL KSS-272A   |        | 219      | 3-305-423-00 | SPRING, COMPRESSION |        |
| * 206           | 4-910-431-01 | SHIFT, SLIDE               |        | * 220    | A-4649-489-A | BD BOARD COMPLETE   |        |
| * 207           | 4-917-582-01 | CUSHION, SLIDE             |        | 221      | 4-948-381-01 | CAP, CENTERING      |        |
| 208             | 4-927-318-01 | WASHER                     |        | 222      | 4-908-213-01 | SPRING, COMPRESSION |        |
| 209             | 3-318-203-61 | SCREW (B1.7X4), TAPPING    |        | 223      | A-4660-056-A | PULLEY ASSY, DISK   |        |
| * 210           | 4-917-584-11 | INSULATOR                  |        | 224      | 4-948-382-02 | BEARING (SPINDLE)   |        |
| 211             | A-4608-335-A | MOTOR ASSY, LINEAR         |        | * 225    | A-4660-055-B | PULLEY ASSY, MOTOR  |        |
| 212             | 4-927-669-01 | WASHER (BU)                |        | * 226    | A-4617-993-A | BSL BOARD, COMPLETE |        |
| 213             | 4-927-634-01 | HOLDER (SP)                |        |          |              |                     |        |

**A. TRANS**

**AC AUDIO**

**SECTION 5  
ELECTRICAL PARTS LIST**

NOTE:

The components identified by mark  $\Delta$  or dotted line with mark  $\Delta$  are critical for safety. Replace only with part number specified.

- AUS : Australian model
- EA : Saudi Arabia model
- G : German model

- Due to standardization, replacements in the parts list may be different from the parts specified in the diagrams or the components used on the set.
- -XX, -X mean standardized parts, so they may have some difference from the original one.
- RESISTORS  
All resistors are in ohms  
METAL: Metal-film resistor  
METAL OXIDE: Metal Oxide-film resistor  
F : nonflammable
- Color Indication of Appearance Parts Example:  
KNOB, BALANCE (WHITE) ... (RED)  
  ↑  ↑  
  Parts color  Cabinet's color

- Items marked "\*" are not stocked since they are seldom required for routine service. Some delay should be anticipated when ordering these items.
- SEMICONDUCTORS  
In each case, u:  $\mu$ , for example:  
uA...:  $\mu$  A..., uPA...:  $\mu$  PA...,  
uPB...:  $\mu$  PB..., uPC...:  $\mu$  PC...,  
uPD...:  $\mu$  PD...
- CAPACITORS  
uF :  $\mu$  F
- COILS  
uH :  $\mu$  H
- Hardware (# mark) list is given in the last of this parts list.

| Ref. No.      | Part No.     | Description                           | Remark |
|---------------|--------------|---------------------------------------|--------|
| *             | 1-646-366-11 | A. TRANS BOARD (AEP, G, AUS)<br>***** |        |
| *             | 1-696-874-21 | LEAD (WITH CONNECTOR) (AEP, G, AUS)   |        |
| *             | 1-696-875-11 | LEAD (WITH CONNECTOR) (AEP, G, AUS)   |        |
|               |              | < CAPACITOR >                         |        |
| C982          | 1-106-343-00 | MYLAR 1000PF 5% 200V<br>(AEP, G, AUS) |        |
| C983          | 1-106-343-00 | MYLAR 1000PF 5% 200V<br>(AEP, G, AUS) |        |
|               |              | < THERMISTOR >                        |        |
| TH906         | 1-808-065-11 | THERMISTOR, POSITIVE (AEP, G, AUS)    |        |
| TH907         | 1-808-065-11 | THERMISTOR, POSITIVE (AEP, G, AUS)    |        |
| *****         |              |                                       |        |
| *             | 1-646-369-11 | AC BOARD<br>*****                     |        |
|               | 1-533-233-11 | HOLDER, FUSE (AEP, G, AUS)            |        |
|               |              | < CAPACITOR >                         |        |
| $\Delta$ C991 | 1-162-599-12 | CERAMIC 0.0047uF 20% 400V             |        |
| $\Delta$ C993 | 1-161-744-00 | CERAMIC 0.01uF 400V                   |        |
|               |              | < CONNECTOR >                         |        |
| CN991         | 1-564-321-00 | PIN, CONNECTOR 2P                     |        |
| CN992         | 1-564-321-00 | PIN, CONNECTOR 2P (AEP, G, AUS)       |        |
| CN993         | 1-564-321-00 | PIN, CONNECTOR 2P                     |        |
| * CN994       | 1-580-230-11 | PIN, CONNECTOR (PC BOARD) 3P          |        |
|               |              | < TRASFORMER >                        |        |
| $\Delta$ T991 | 1-421-915-11 | COIL, LINE FILTER                     |        |
| *****         |              |                                       |        |
| *             | A-4649-410-A | AUDIO BOARD, COMPLETE<br>*****        |        |
|               |              | < BUS >                               |        |
| * BUS1        | 1-580-302-11 | BUS BAR 4P                            |        |
| * BUS2        | 1-580-302-11 | BUS BAR 4P                            |        |
| * BUS3        | 1-691-279-11 | BUS BAR 5P                            |        |

| Ref. No. | Part No.     | Description           | Remark |
|----------|--------------|-----------------------|--------|
|          |              | < CAPACITOR >         |        |
| C401     | 1-126-023-11 | ELECT 100uF 20% 25V   |        |
| C402     | 1-136-165-00 | FILM 0.1uF 5% 50V     |        |
| C403     | 1-126-052-11 | ELECT 100uF 20% 50V   |        |
| C404     | 1-162-806-11 | CERAMIC 0.1uF 10% 50V |        |
| C405     | 1-162-806-11 | CERAMIC 0.1uF 10% 50V |        |
| C406     | 1-162-806-11 | CERAMIC 0.1uF 10% 50V |        |
| C407     | 1-162-806-11 | CERAMIC 0.1uF 10% 50V |        |
| C408     | 1-126-052-11 | ELECT 100uF 20% 50V   |        |
| C410     | 1-136-812-11 | FILM 470PF 5% 100V    |        |
| C411     | 1-136-810-11 | FILM 220PF 5% 100V    |        |
| C412     | 1-136-810-11 | FILM 220PF 5% 100V    |        |
| C413     | 1-136-808-11 | FILM 100PF 5% 100V    |        |
| C414     | 1-136-808-11 | FILM 100PF 5% 100V    |        |
| C415     | 1-136-192-11 | FILM 0.0018uF 2% 100V |        |
| C416     | 1-136-192-11 | FILM 0.0018uF 2% 100V |        |
| C417     | 1-136-192-11 | FILM 0.0018uF 2% 100V |        |
| C418     | 1-104-646-91 | CERAMIC 2.2uF 20% 50V |        |
| C441     | 1-136-165-00 | FILM 0.1uF 5% 50V     |        |
| C451     | 1-162-199-31 | CERAMIC 10PF 5% 50V   |        |
| C452     | 1-126-024-11 | ELECT 220uF 20% 25V   |        |
| C453     | 1-162-199-31 | CERAMIC 10PF 5% 50V   |        |
| C502     | 1-136-165-00 | FILM 0.1uF 5% 50V     |        |
| C503     | 1-126-052-11 | ELECT 100uF 20% 50V   |        |
| C504     | 1-162-806-11 | CERAMIC 0.1uF 10% 50V |        |
| C505     | 1-162-806-11 | CERAMIC 0.1uF 10% 50V |        |
| C506     | 1-162-806-11 | CERAMIC 0.1uF 10% 50V |        |
| C507     | 1-162-806-11 | CERAMIC 0.1uF 10% 50V |        |
| C508     | 1-126-052-11 | ELECT 100uF 20% 50V   |        |
| C510     | 1-136-812-11 | FILM 470PF 5% 100V    |        |
| C511     | 1-136-810-11 | FILM 220PF 5% 100V    |        |
| C512     | 1-136-810-11 | FILM 220PF 5% 100V    |        |
| C513     | 1-136-808-11 | FILM 100PF 5% 100V    |        |
| C514     | 1-136-808-11 | FILM 100PF 5% 100V    |        |
| C515     | 1-136-192-11 | FILM 0.0018uF 2% 100V |        |
| C516     | 1-136-192-11 | FILM 0.0018uF 2% 100V |        |
| C517     | 1-136-192-11 | FILM 0.0018uF 2% 100V |        |
| C518     | 1-104-646-91 | CERAMIC 2.2uF 20% 50V |        |
| C541     | 1-136-165-00 | FILM 0.1uF 5% 50V     |        |
| C551     | 1-162-199-31 | CERAMIC 10PF 5% 50V   |        |
| C552     | 1-126-024-11 | ELECT 220uF 20% 25V   |        |
| C553     | 1-162-199-31 | CERAMIC 10PF 5% 50V   |        |
| C600     | 1-164-159-11 | CERAMIC 0.1uF 50V     |        |

| <u>Ref.No.</u> | <u>Part No.</u> | <u>Description</u>            |             |     |      | <u>Remark</u> | <u>Ref.No.</u> | <u>Part No.</u> | <u>Description</u> |             |  |  | <u>Remark</u> |
|----------------|-----------------|-------------------------------|-------------|-----|------|---------------|----------------|-----------------|--------------------|-------------|--|--|---------------|
| C601           | 1-126-023-11    | ELECT                         | 100uF       | 20% | 25V  |               | D603           | 8-719-987-63    | DIODE              | 1N4148M     |  |  |               |
| C602           | 1-136-165-00    | FILM                          | 0.1uF       | 5%  | 50V  |               | D604           | 8-719-114-27    | DIODE              | RD4.7JS-B3  |  |  |               |
| C603           | 1-162-290-31    | CERAMIC                       | 470PF       | 10% | 50V  |               | D605           | 8-719-114-27    | DIODE              | RD4.7JS-B3  |  |  |               |
|                |                 |                               |             |     |      |               | D606           | 8-719-114-30    | DIODE              | RD5.1JS-B2  |  |  |               |
| C604           | 1-162-294-31    | CERAMIC                       | 0.001uF     | 10% | 50V  |               |                |                 | < IC >             |             |  |  |               |
| C605           | 1-126-023-11    | ELECT                         | 100uF       | 20% | 25V  |               | IC401          | 8-759-900-72    | IC                 | NE5532P     |  |  |               |
| C606           | 1-136-165-00    | FILM                          | 0.1uF       | 5%  | 50V  |               | IC402          | 8-759-900-72    | IC                 | NE5532P     |  |  |               |
| C607           | 1-136-165-00    | FILM                          | 0.1uF       | 5%  | 50V  |               | IC403          | 8-759-900-72    | IC                 | NE5532P     |  |  |               |
| C608           | 1-126-053-11    | ELECT                         | 220uF       | 20% | 50V  |               | IC404          | 8-759-900-72    | IC                 | NE5532P     |  |  |               |
|                |                 |                               |             |     |      |               | IC405          | 8-759-053-07    | IC                 | OP-27GP     |  |  |               |
| C610           | 1-107-169-00    | MICA                          | 100PF       | 5%  | 500V |               | IC501          | 8-759-900-72    | IC                 | NE5532P     |  |  |               |
| C611           | 1-126-051-11    | ELECT                         | 47uF        | 20% | 50V  |               | IC502          | 8-759-900-72    | IC                 | NE5532P     |  |  |               |
| C612           | 1-126-051-11    | ELECT                         | 47uF        | 20% | 50V  |               | IC503          | 8-759-900-72    | IC                 | NE5532P     |  |  |               |
| C613           | 1-162-806-11    | CERAMIC                       | 0.1uF       | 10% | 50V  |               | IC504          | 8-759-900-72    | IC                 | NE5532P     |  |  |               |
| C614           | 1-126-066-11    | ELECT                         | 470uF       | 20% | 63V  |               | IC505          | 8-759-053-07    | IC                 | OP-27GP     |  |  |               |
| C615           | 1-130-483-00    | MYLAR                         | 0.01uF      | 5%  | 50V  |               | IC601          | 8-752-356-03    | IC                 | CXD2567M    |  |  |               |
| C616           | 1-130-483-00    | MYLAR                         | 0.01uF      | 5%  | 50V  |               | IC602          | 8-759-917-18    | IC                 | SN74HCU04N  |  |  |               |
| C617           | 1-137-506-11    | FILM                          | 0.47uF      | 10% | 63V  |               | IC603          | 8-759-044-10    | IC                 | CXD2562Q    |  |  |               |
| C618           | 1-137-506-11    | FILM                          | 0.47uF      | 10% | 63V  |               | IC604          | 8-759-233-64    | IC                 | TC74HCU04AF |  |  |               |
| C619           | 1-137-506-11    | FILM                          | 0.47uF      | 10% | 63V  |               | IC606          | 8-759-711-18    | IC                 | NJM4556D-D  |  |  |               |
| C620           | 1-137-506-11    | FILM                          | 0.47uF      | 10% | 63V  |               |                |                 | < COIL >           |             |  |  |               |
| C623           | 1-126-023-11    | ELECT                         | 100uF       | 20% | 25V  |               | L403           | 1-410-971-11    | INDUCTOR           | 10uH        |  |  |               |
| C624           | 1-126-023-11    | ELECT                         | 100uF       | 20% | 25V  |               | L404           | 1-410-970-11    | INDUCTOR           | 6.8uH       |  |  |               |
| C627           | 1-107-202-00    | MICA                          | 10PF        | 5%  | 500V |               | L441           | 1-410-970-11    | INDUCTOR           | 6.8uH       |  |  |               |
| C628           | 1-107-202-00    | MICA                          | 10PF        | 5%  | 500V |               | L442           | 1-410-970-11    | INDUCTOR           | 6.8uH       |  |  |               |
| C629           | 1-162-806-11    | CERAMIC                       | 0.1uF       | 10% | 50V  |               | L443           | 1-410-970-11    | INDUCTOR           | 6.8uH       |  |  |               |
| C630           | 1-126-077-11    | ELECT                         | 100uF       | 20% | 63V  |               | L451           | 1-410-970-11    | INDUCTOR           | 6.8uH       |  |  |               |
|                |                 | < CONNECTOR >                 |             |     |      |               | L452           | 1-410-967-11    | INDUCTOR           | 2.2uH       |  |  |               |
| * CN401        | 1-573-261-11    | PIN, CONNECTOR 2P             |             |     |      |               | L453           | 1-410-970-11    | INDUCTOR           | 6.8uH       |  |  |               |
| * CN402        | 1-573-261-31    | PIN, CONNECTOR 2P             |             |     |      |               | L503           | 1-410-971-11    | INDUCTOR           | 10uH        |  |  |               |
| * CN501        | 1-573-261-21    | PIN, CONNECTOR 2P             |             |     |      |               | L504           | 1-410-970-11    | INDUCTOR           | 6.8uH       |  |  |               |
| * CN502        | 1-573-261-41    | PIN, CONNECTOR 2P             |             |     |      |               | L541           | 1-410-970-11    | INDUCTOR           | 6.8uH       |  |  |               |
| * CN601        | 1-569-993-11    | PIN, CONNECTOR (PC BOARD) 6P  |             |     |      |               | L542           | 1-410-970-11    | INDUCTOR           | 6.8uH       |  |  |               |
| * CN602        | 1-569-997-11    | PIN, CONNECTOR (PC BOARD) 10P |             |     |      |               | L543           | 1-410-970-11    | INDUCTOR           | 6.8uH       |  |  |               |
| * CN603        | 1-573-261-11    | PIN, CONNECTOR 2P             |             |     |      |               | L551           | 1-410-970-11    | INDUCTOR           | 6.8uH       |  |  |               |
| * CN604        | 1-573-262-31    | PIN, CONNECTOR 3P             |             |     |      |               | L552           | 1-410-967-11    | INDUCTOR           | 2.2uH       |  |  |               |
| * CN605        | 1-573-263-11    | PIN, CONNECTOR 4P             |             |     |      |               | L553           | 1-410-970-11    | INDUCTOR           | 6.8uH       |  |  |               |
| * CN606        | 1-573-262-41    | PIN, CONNECTOR 3P             |             |     |      |               | L601           | 1-410-970-11    | INDUCTOR           | 6.8uH       |  |  |               |
| * CN607        | 1-573-262-21    | PIN, CONNECTOR 3P             |             |     |      |               | L603           | 1-410-970-11    | INDUCTOR           | 6.8uH       |  |  |               |
| * CN608        | 1-573-262-11    | PIN, CONNECTOR 3P             |             |     |      |               | L604           | 1-410-970-11    | INDUCTOR           | 6.8uH       |  |  |               |
| * CN609        | 1-573-263-31    | PIN, CONNECTOR 4P             |             |     |      |               |                | < TRANSISTOR >  |                    |             |  |  |               |
| * CN610        | 1-573-263-41    | PIN, CONNECTOR 4P             |             |     |      |               | Q401           | 8-729-203-05    | TRANSISTOR         | 2SK30A-GR3  |  |  |               |
| * CN611        | 1-573-261-41    | PIN, CONNECTOR 2P             |             |     |      |               | Q402           | 8-729-184-53    | TRANSISTOR         | 2SC1845-EA  |  |  |               |
|                |                 | < DIODE >                     |             |     |      |               | Q403           | 8-729-321-35    | TRANSISTOR         | 2SK213      |  |  |               |
| D401           | 8-719-987-63    | DIODE                         | 1N4148M     |     |      |               | Q404           | 8-729-307-65    | TRANSISTOR         | 2SJ76       |  |  |               |
| D441           | 8-719-987-63    | DIODE                         | 1N4148M     |     |      |               | Q405           | 8-729-224-63    | TRANSISTOR         | 2SK246-BL   |  |  |               |
| D501           | 8-719-987-63    | DIODE                         | 1N4148M     |     |      |               |                |                 |                    |             |  |  |               |
| D541           | 8-719-987-63    | DIODE                         | 1N4148M     |     |      |               |                |                 |                    |             |  |  |               |
| D601           | 8-719-987-63    | DIODE                         | 1N4148M     |     |      |               |                |                 |                    |             |  |  |               |
| D602           | 8-719-114-61    | DIODE                         | RD10JS-T2B2 |     |      |               |                |                 |                    |             |  |  |               |

# AUDIO

| Ref. No. | Part No.     | Description  | Remark       | Ref. No. | Part No.     | Description | Remark         |
|----------|--------------|--------------|--------------|----------|--------------|-------------|----------------|
| Q441     | 8-729-900-80 | TRANSISTOR   | DTC114ES     | R430     | 1-247-903-00 | CARBON      | 1M 5% 1/4W     |
| Q442     | 8-729-900-65 | TRANSISTOR   | DTA144ES     | R431     | 1-249-465-11 | CARBON      | 47K 5% 1/4W    |
| Q443     | 8-729-231-55 | TRANSISTOR   | 2SC2878-AB   | R432     | 1-249-606-11 | CARBON      | 180K 5% 1/4W   |
| Q451     | 8-729-231-55 | TRANSISTOR   | 2SC2878-AB   | R441     | 1-259-476-11 | CARBON      | 100K 5% 1/6W   |
| Q501     | 8-729-203-05 | TRANSISTOR   | 2SK30A-GR3   | R442     | 1-249-429-11 | CARBON      | 10K 5% 1/4W    |
| Q502     | 8-729-184-53 | TRANSISTOR   | 2SC1845-EA   | R443     | 1-249-439-11 | CARBON      | 68K 5% 1/4W    |
| Q503     | 8-729-321-35 | TRANSISTOR   | 2SK213       | R451     | 1-259-444-11 | CARBON      | 4.7K 5% 1/6W   |
| Q504     | 8-729-307-65 | TRANSISTOR   | 2SJ76        | R452     | 1-259-476-11 | CARBON      | 100K 5% 1/6W   |
| Q505     | 8-729-224-63 | TRANSISTOR   | 2SK246-BL    | R453     | 1-249-431-11 | CARBON      | 15K 5% 1/4W    |
| Q541     | 8-729-900-80 | TRANSISTOR   | DTC114ES     | R454     | 1-259-464-11 | CARBON      | 33K 5% 1/6W    |
| Q542     | 8-729-900-65 | TRANSISTOR   | DTA144ES     | R455     | 1-259-468-11 | CARBON      | 47K 5% 1/6W    |
| Q543     | 8-729-231-55 | TRANSISTOR   | 2SC2878-AB   | R456     | 1-259-398-11 | CARBON      | 56 5% 1/6W     |
| Q551     | 8-729-231-55 | TRANSISTOR   | 2SC2878-AB   | R491     | 1-249-423-11 | CARBON      | 3.3K 5% 1/4W F |
| Q601     | 8-729-900-65 | TRANSISTOR   | DTA144ES     | R501     | 1-249-945-11 | CARBON      | 8.2K 1% 1/4W   |
| Q602     | 8-729-620-23 | TRANSISTOR   | 2SC3246-JK   | R502     | 1-249-945-11 | CARBON      | 8.2K 1% 1/4W   |
| Q603     | 8-729-203-05 | TRANSISTOR   | 2SK30A-GR3   | R503     | 1-249-945-11 | CARBON      | 8.2K 1% 1/4W   |
| Q604     | 8-729-203-05 | TRANSISTOR   | 2SK30A-GR3   | R504     | 1-249-945-11 | CARBON      | 8.2K 1% 1/4W   |
| Q605     | 8-729-104-18 | TRANSISTOR   | 2SC3514      | R505     | 1-247-719-11 | CARBON      | 3.3K 5% 1/4W   |
| Q606     | 8-729-141-10 | TRANSISTOR   | 2SA985A      | R506     | 1-247-719-11 | CARBON      | 3.3K 5% 1/4W   |
| Q607     | 8-729-900-65 | TRANSISTOR   | DTA144ES     | R507     | 1-249-947-11 | CARBON      | 10K 1% 1/4W    |
|          |              | < RESISTOR > |              | R508     | 1-249-947-11 | CARBON      | 10K 1% 1/4W    |
| R401     | 1-249-945-11 | CARBON       | 8.2K 1% 1/4W | R509     | 1-249-941-11 | CARBON      | 5.6K 1% 1/4W   |
| R402     | 1-249-945-11 | CARBON       | 8.2K 1% 1/4W | R510     | 1-249-941-11 | CARBON      | 5.6K 1% 1/4W   |
| R403     | 1-249-945-11 | CARBON       | 8.2K 1% 1/4W | R511     | 1-249-941-11 | CARBON      | 5.6K 1% 1/4W   |
| R404     | 1-249-945-11 | CARBON       | 8.2K 1% 1/4W | R512     | 1-249-941-11 | CARBON      | 5.6K 1% 1/4W   |
| R405     | 1-247-719-11 | CARBON       | 3.3K 5% 1/4W | R513     | 1-249-929-11 | CARBON      | 1.8K 1% 1/4W   |
| R406     | 1-247-719-11 | CARBON       | 3.3K 5% 1/4W | R514     | 1-249-929-11 | CARBON      | 1.8K 1% 1/4W   |
| R407     | 1-249-947-11 | CARBON       | 10K 1% 1/4W  | R515     | 1-249-929-11 | CARBON      | 1.8K 1% 1/4W   |
| R408     | 1-249-947-11 | CARBON       | 10K 1% 1/4W  | R516     | 1-249-929-11 | CARBON      | 1.8K 1% 1/4W   |
| R409     | 1-249-941-11 | CARBON       | 5.6K 1% 1/4W | R517     | 1-249-461-11 | CARBON      | 18K 5% 1/4W    |
| R410     | 1-249-941-11 | CARBON       | 5.6K 1% 1/4W | R518     | 1-249-929-11 | CARBON      | 1.8K 1% 1/4W   |
| R411     | 1-249-941-11 | CARBON       | 5.6K 1% 1/4W | R519     | 1-249-520-11 | CARBON      | 47 5% 1/4W     |
| R412     | 1-249-941-11 | CARBON       | 5.6K 1% 1/4W | R520     | 1-247-713-11 | CARBON      | 1K 5% 1/4W F   |
| R413     | 1-249-929-11 | CARBON       | 1.8K 1% 1/4W | R521     | 1-249-947-11 | CARBON      | 10K 1% 1/4W    |
| R414     | 1-249-929-11 | CARBON       | 1.8K 1% 1/4W | R522     | 1-249-556-11 | CARBON      | 1.5K 5% 1/4W   |
| R415     | 1-249-929-11 | CARBON       | 1.8K 1% 1/4W | R523     | 1-247-700-11 | CARBON      | 100 5% 1/4W    |
| R416     | 1-249-929-11 | CARBON       | 1.8K 1% 1/4W | R524     | 1-247-700-11 | CARBON      | 100 5% 1/4W    |
| R417     | 1-249-461-11 | CARBON       | 18K 5% 1/4W  | R525     | 1-249-637-11 | CARBON      | 33 5% 1/2W     |
| R418     | 1-249-929-11 | CARBON       | 1.8K 1% 1/4W | R526     | 1-249-637-11 | CARBON      | 33 5% 1/2W     |
| R419     | 1-249-520-11 | CARBON       | 47 5% 1/4W   | R527     | 1-249-637-11 | CARBON      | 33 5% 1/2W     |
| R420     | 1-247-713-11 | CARBON       | 1K 5% 1/4W F | R528     | 1-249-417-11 | CARBON      | 1K 5% 1/4W F   |
| R421     | 1-249-947-11 | CARBON       | 10K 1% 1/4W  | R529     | 1-249-465-11 | CARBON      | 47K 5% 1/4W    |
| R422     | 1-249-556-11 | CARBON       | 1.5K 5% 1/4W | R530     | 1-247-903-00 | CARBON      | 1M 5% 1/4W     |
| R423     | 1-247-700-11 | CARBON       | 100 5% 1/4W  | R531     | 1-249-465-11 | CARBON      | 47K 5% 1/4W    |
| R424     | 1-247-700-11 | CARBON       | 100 5% 1/4W  | R532     | 1-249-606-11 | CARBON      | 180K 5% 1/4W   |
| R425     | 1-249-637-11 | CARBON       | 33 5% 1/2W   | R541     | 1-259-476-11 | CARBON      | 100K 5% 1/6W   |
| R426     | 1-249-637-11 | CARBON       | 33 5% 1/2W   | R542     | 1-249-429-11 | CARBON      | 10K 5% 1/4W    |
| R427     | 1-249-637-11 | CARBON       | 33 5% 1/2W   | R543     | 1-249-439-11 | CARBON      | 68K 5% 1/4W    |
| R428     | 1-249-417-11 | CARBON       | 1K 5% 1/4W F | R551     | 1-259-444-11 | CARBON      | 4.7K 5% 1/6W   |
| R429     | 1-249-465-11 | CARBON       | 47K 5% 1/4W  | R552     | 1-259-476-11 | CARBON      | 100K 5% 1/6W   |

| Ref. No. | Part No.     | Description | Remark         | Ref. No. | Part No.     | Description                 | Remark  |
|----------|--------------|-------------|----------------|----------|--------------|-----------------------------|---------|
| R553     | 1-249-431-11 | CARBON      | 15K 5% 1/4W    | *        | A-4649-489-A | BD BOARD, COMPLETE<br>***** |         |
| R554     | 1-259-464-11 | CARBON      | 33K 5% 1/6W    |          |              | < CAPACITOR >               |         |
| R555     | 1-259-468-11 | CARBON      | 47K 5% 1/6W    |          |              |                             |         |
| R556     | 1-259-398-11 | CARBON      | 56 5% 1/6W     |          |              |                             |         |
| R591     | 1-249-423-11 | CARBON      | 3.3K 5% 1/4W F | C101     | 1-163-133-00 | CERAMIC CHIP 470PF          | 5% 50V  |
| R600     | 1-249-947-11 | CARBON      | 10K 1% 1/4W    | C102     | 1-164-004-11 | CERAMIC CHIP 0.1uF          | 10% 25V |
|          |              |             |                | C103     | 1-163-133-00 | CERAMIC CHIP 470PF          | 5% 50V  |
| R601     | 1-249-417-11 | CARBON      | 1K 5% 1/4W F   | C104     | 1-164-346-11 | CERAMIC CHIP 1uF            | 16V     |
| R602     | 1-249-417-11 | CARBON      | 1K 5% 1/4W F   | C105     | 1-163-038-00 | CERAMIC CHIP 0.1uF          | 25V     |
| R603     | 1-249-417-11 | CARBON      | 1K 5% 1/4W F   |          |              |                             |         |
| R604     | 1-249-417-11 | CARBON      | 1K 5% 1/4W F   | C106     | 1-164-346-11 | CERAMIC CHIP 1uF            | 16V     |
| R605     | 1-249-429-11 | CARBON      | 10K 5% 1/4W    | C107     | 1-164-346-11 | CERAMIC CHIP 1uF            | 16V     |
|          |              |             |                | C109     | 1-163-038-00 | CERAMIC CHIP 0.1uF          | 25V     |
| R608     | 1-249-413-11 | CARBON      | 470 5% 1/4W F  | C110     | 1-124-584-00 | ELECT 100uF                 | 20% 10V |
| R609     | 1-249-413-11 | CARBON      | 470 5% 1/4W F  | C111     | 1-164-346-11 | CERAMIC CHIP 1uF            | 16V     |
| R610     | 1-249-413-11 | CARBON      | 470 5% 1/4W F  |          |              |                             |         |
| R611     | 1-249-413-11 | CARBON      | 470 5% 1/4W F  | C112     | 1-164-346-11 | CERAMIC CHIP 1uF            | 16V     |
| R612     | 1-249-416-11 | CARBON      | 820 5% 1/4W F  | C113     | 1-164-346-11 | CERAMIC CHIP 1uF            | 16V     |
|          |              |             |                | C114     | 1-164-346-11 | CERAMIC CHIP 1uF            | 16V     |
| R613     | 1-249-415-11 | CARBON      | 680 5% 1/4W F  | C115     | 1-162-806-11 | CERAMIC 0.1uF               | 10% 50V |
| R614     | 1-249-411-11 | CARBON      | 330 5% 1/4W    | C116     | 1-162-806-11 | CERAMIC 0.1uF               | 10% 50V |
| R615     | 1-249-427-11 | CARBON      | 6.8K 5% 1/4W F |          |              |                             |         |
| R616     | 1-247-901-11 | CARBON      | 820K 5% 1/4W   | C117     | 1-107-169-00 | MICA 100PF                  | 5% 500V |
| △R617    | 1-212-887-00 | FUSIBLE     | 180 5% 1/4W F  | C121     | 1-163-017-00 | CERAMIC CHIP 0.0047uF       | 5% 50V  |
|          |              |             |                | C122     | 1-163-001-11 | CERAMIC CHIP 220PF          | 10% 50V |
| R618     | 1-249-417-11 | CARBON      | 1K 5% 1/4W F   | C123     | 1-163-133-00 | CERAMIC CHIP 470PF          | 5% 50V  |
| R619     | 1-249-417-11 | CARBON      | 1K 5% 1/4W F   | C124     | 1-163-986-00 | CERAMIC CHIP 0.027uF        | 10% 25V |
| R620     | 1-249-413-11 | CARBON      | 470 5% 1/4W F  |          |              |                             |         |
| R621     | 1-249-401-11 | CARBON      | 47 5% 1/4W F   | C125     | 1-163-986-00 | CERAMIC CHIP 0.027uF        | 10% 25V |
| R622     | 1-249-520-11 | CARBON      | 47 5% 1/4W     | C141     | 1-163-038-00 | CERAMIC CHIP 0.1uF          | 25V     |
|          |              |             |                | C142     | 1-163-038-00 | CERAMIC CHIP 0.1uF          | 25V     |
| R623     | 1-247-713-11 | CARBON      | 1K 5% 1/4W F   | C151     | 1-163-137-00 | CERAMIC CHIP 680PF          | 5% 50V  |
| R624     | 1-247-713-11 | CARBON      | 1K 5% 1/4W F   | C152     | 1-163-137-00 | CERAMIC CHIP 680PF          | 5% 50V  |
| R625     | 1-247-708-11 | CARBON      | 470 5% 1/4W    |          |              |                             |         |
| R626     | 1-247-700-11 | CARBON      | 100 5% 1/4W    | C153     | 1-163-137-00 | CERAMIC CHIP 680PF          | 5% 50V  |
| R627     | 1-247-700-11 | CARBON      | 100 5% 1/4W    | C154     | 1-163-137-00 | CERAMIC CHIP 680PF          | 5% 50V  |
|          |              |             |                | C155     | 1-163-019-00 | CERAMIC CHIP 0.0068uF       | 10% 50V |
| R628     | 1-247-887-00 | CARBON      | 220K 5% 1/4W   | C156     | 1-164-346-11 | CERAMIC CHIP 1uF            | 16V     |
| R629     | 1-249-433-11 | CARBON      | 22K 5% 1/4W    | C157     | 1-163-023-00 | CERAMIC CHIP 0.015uF        | 5% 50V  |
| R630     | 1-249-441-11 | CARBON      | 100K 5% 1/4W   |          |              |                             |         |
| △R631    | 1-219-022-11 | FUSIBLE     | 100 5% 1/2W    | C158     | 1-163-809-11 | CERAMIC CHIP 0.047uF        | 10% 25V |
| △R632    | 1-219-022-11 | FUSIBLE     | 100 5% 1/2W    | C159     | 1-163-038-00 | CERAMIC CHIP 0.1uF          | 25V     |
|          |              |             |                | C160     | 1-164-336-11 | CERAMIC CHIP 0.33uF         | 25V     |
|          |              |             |                | C161     | 1-163-023-00 | CERAMIC CHIP 0.015uF        | 5% 50V  |
|          |              |             |                | C171     | 1-163-038-00 | CERAMIC CHIP 0.1uF          | 25V     |
|          |              |             |                |          |              |                             |         |
|          |              |             |                | C172     | 1-163-038-00 | CERAMIC CHIP 0.1uF          | 25V     |
|          |              |             |                | C173     | 1-163-038-00 | CERAMIC CHIP 0.1uF          | 25V     |
|          |              |             |                | C174     | 1-163-038-00 | CERAMIC CHIP 0.1uF          | 25V     |
|          |              |             |                | C175     | 1-163-038-00 | CERAMIC CHIP 0.1uF          | 25V     |
|          |              |             |                | C177     | 1-163-038-00 | CERAMIC CHIP 0.1uF          | 25V     |
|          |              |             |                |          |              |                             |         |
|          |              |             |                | C178     | 1-163-038-00 | CERAMIC CHIP 0.1uF          | 25V     |
|          |              |             |                | C179     | 1-163-038-00 | CERAMIC CHIP 0.1uF          | 25V     |
|          |              |             |                | C180     | 1-163-038-00 | CERAMIC CHIP 0.1uF          | 25V     |
|          |              |             |                | C181     | 1-164-346-11 | CERAMIC CHIP 1uF            | 16V     |
|          |              |             |                | C201     | 1-163-809-11 | CERAMIC CHIP 0.047uF        | 10% 25V |
|          |              |             |                |          |              |                             |         |
|          |              |             |                | C202     | 1-163-011-11 | CERAMIC CHIP 0.0015uF       | 10% 50V |

< TERMINAL >

T2 1-535-988-11 TERMINAL, TAB

< THERMISTOR >

THP601 1-806-882-11 THERMISTOR, POSITIVE

THP602 1-806-882-11 THERMISTOR, POSITIVE

THP603 1-806-882-11 THERMISTOR, POSITIVE

< VIBRATOR >

X601 1-577-685-11 FILTER, CRYSTAL (16MHz)

X602 1-577-686-11 VIBRATOR, CRYSTAL (45MHz)

\*\*\*\*\*

The components identified by mark △ or dotted line with mark △ are critical for safety. Replace only with part number specified.

| Ref. No. | Part No.       | Description                    | Remark | Ref. No. | Part No.     | Description        | Remark |
|----------|----------------|--------------------------------|--------|----------|--------------|--------------------|--------|
| C203     | 1-164-232-11   | CERAMIC CHIP 0.01uF            | 50V    | R106     | 1-216-085-00 | METAL CHIP 33K 5%  | 1/10W  |
| C204     | 1-163-117-00   | CERAMIC CHIP 100PF 5%          | 50V    | R107     | 1-216-025-00 | METAL CHIP 100 5%  | 1/10W  |
| C205     | 1-164-489-11   | CERAMIC CHIP 0.22uF 10%        | 16V    | R108     | 1-216-049-00 | METAL CHIP 1K 5%   | 1/10W  |
| C206     | 1-164-232-11   | CERAMIC CHIP 0.01uF            | 50V    | R121     | 1-216-071-00 | METAL CHIP 8.2K 5% | 1/10W  |
|          |                |                                |        | R122     | 1-216-071-00 | METAL CHIP 8.2K 5% | 1/10W  |
| C207     | 1-164-346-11   | CERAMIC CHIP 1uF               | 16V    |          |              |                    |        |
| C301     | 1-163-038-00   | CERAMIC CHIP 0.1uF             | 25V    | R123     | 1-216-071-00 | METAL CHIP 8.2K 5% | 1/10W  |
| C302     | 1-125-622-11   | CAP, DOUBLE LAYERS 0.10F       |        | R124     | 1-216-071-00 | METAL CHIP 8.2K 5% | 1/10W  |
| C303     | 1-163-038-00   | CERAMIC CHIP 0.1uF             | 25V    | R125     | 1-216-071-00 | METAL CHIP 8.2K 5% | 1/10W  |
| C304     | 1-163-009-11   | CERAMIC CHIP 0.001uF 10%       | 50V    | R126     | 1-216-071-00 | METAL CHIP 8.2K 5% | 1/10W  |
|          |                |                                |        | R127     | 1-216-069-00 | METAL CHIP 6.8K 5% | 1/10W  |
| C305     | 1-164-346-11   | CERAMIC CHIP 1uF               | 16V    |          |              |                    |        |
|          | < CONNECTOR >  |                                |        |          |              |                    |        |
| * CN101  | 1-573-276-11   | PIN, CONNECTOR 6P              |        | R128     | 1-216-069-00 | METAL CHIP 6.8K 5% | 1/10W  |
| CN102    | 1-568-799-11   | SOCKET, CONNECTOR 16P          |        | R129     | 1-216-069-00 | METAL CHIP 6.8K 5% | 1/10W  |
| * CN111  | 1-569-998-11   | PIN, CONNECTOR (PC BOARD) 2P   |        | R130     | 1-216-069-00 | METAL CHIP 6.8K 5% | 1/10W  |
| * CN112  | 1-580-001-11   | PIN, CONNECTOR (PC BOARD) 4P   |        | R131     | 1-216-069-00 | METAL CHIP 6.8K 5% | 1/10W  |
| * CN113  | 1-580-002-11   | PIN, CONNECTOR (PC BOARD) 5P   |        | R132     | 1-216-069-00 | METAL CHIP 6.8K 5% | 1/10W  |
|          |                |                                |        |          |              |                    |        |
| * CN141  | 1-564-704-11   | PIN, CONNECTOR (SMALL TYPE) 2P |        | R133     | 1-216-053-00 | METAL CHIP 1.5K 5% | 1/10W  |
| * CN201  | 1-580-007-11   | PIN, CONNECTOR (PC BOARD) 10P  |        | R134     | 1-216-053-00 | METAL CHIP 1.5K 5% | 1/10W  |
| * CN202  | 1-580-003-11   | PIN, CONNECTOR (PC BOARD) 6P   |        | R141     | 1-216-073-00 | METAL CHIP 10K 5%  | 1/10W  |
| * CN203  | 1-564-719-11   | PIN, CONNECTOR (SMALL TYPE) 3P |        | R142     | 1-216-079-00 | METAL CHIP 18K 5%  | 1/10W  |
| * CN301  | 1-691-464-11   | PIN, CONNECTOR 8P              |        | R143     | 1-216-073-00 | METAL CHIP 10K 5%  | 1/10W  |
|          |                |                                |        |          |              |                    |        |
| * CN302  | 1-691-462-11   | PIN, CONNECTOR 6P              |        | R144     | 1-216-065-00 | METAL CHIP 4.7K 5% | 1/10W  |
|          | < DIODE >      |                                |        | R145     | 1-216-073-00 | METAL CHIP 10K 5%  | 1/10W  |
| D301     | 8-719-104-34   | DIODE 1S2836                   |        | R146     | 1-216-073-00 | METAL CHIP 10K 5%  | 1/10W  |
|          | < IC >         |                                |        | R147     | 1-216-077-00 | METAL CHIP 15K 5%  | 1/10W  |
| IC101    | 8-752-344-48   | IC CXD2501Q                    |        | R148     | 1-216-073-00 | METAL CHIP 10K 5%  | 1/10W  |
| IC102    | 8-759-071-79   | IC BA6297AFP-T1                |        | R149     | 1-216-073-00 | METAL CHIP 10K 5%  | 1/10W  |
| IC103    | 8-759-040-83   | IC BA6287F                     |        | R151     | 1-216-070-00 | METAL CHIP 7.5K 5% | 1/10W  |
| IC141    | 8-759-055-78   | IC TA8407F(EL)                 |        | R152     | 1-216-070-00 | METAL CHIP 7.5K 5% | 1/10W  |
| IC142    | 8-759-700-43   | IC NJM4558M                    |        | R153     | 1-216-070-00 | METAL CHIP 7.5K 5% | 1/10W  |
|          |                |                                |        | R154     | 1-216-070-00 | METAL CHIP 7.5K 5% | 1/10W  |
| IC151    | 8-759-700-43   | IC NJM4558M                    |        |          |              |                    |        |
| IC152    | 8-759-700-43   | IC NJM4558M                    |        | R155     | 1-216-093-00 | METAL CHIP 68K 5%  | 1/10W  |
| IC201    | 8-752-352-93   | IC CXD2500AQ                   |        | R156     | 1-216-085-00 | METAL CHIP 33K 5%  | 1/10W  |
| IC301    | 8-759-165-54   | IC M37451M8-282FP              |        | R157     | 1-216-117-00 | METAL CHIP 680K 5% | 1/10W  |
| IC302    | 8-759-512-81   | IC LH5160N-10L                 |        | R158     | 1-216-097-00 | METAL CHIP 100K 5% | 1/10W  |
|          |                |                                |        | R159     | 1-216-083-00 | METAL CHIP 27K 5%  | 1/10W  |
|          | < TRANSISTOR > |                                |        |          |              |                    |        |
| Q151     | 8-729-901-06   | TRANSISTOR DTA144EK            |        | R160     | 1-216-049-00 | METAL CHIP 1K 5%   | 1/10W  |
| Q181     | 8-729-901-01   | TRANSISTOR DTC144EK            |        | R161     | 1-216-095-00 | METAL CHIP 82K 5%  | 1/10W  |
| Q182     | 8-729-901-06   | TRANSISTOR DTA144EK            |        | R163     | 1-216-076-00 | METAL CHIP 13K 5%  | 1/10W  |
|          |                |                                |        | R164     | 1-216-085-00 | METAL CHIP 33K 5%  | 1/10W  |
|          | < RESISTOR >   |                                |        | R165     | 1-216-081-00 | METAL CHIP 22K 5%  | 1/10W  |
| R101     | 1-216-077-00   | METAL CHIP 15K 5%              | 1/10W  | R166     | 1-216-085-00 | METAL CHIP 33K 5%  | 1/10W  |
| R102     | 1-216-097-00   | METAL CHIP 100K 5%             | 1/10W  | R167     | 1-216-308-00 | METAL CHIP 4.7 5%  | 1/10W  |
| R103     | 1-216-077-00   | METAL CHIP 15K 5%              | 1/10W  | R171     | 1-216-001-00 | METAL CHIP 10 5%   | 1/10W  |
| R104     | 1-216-049-00   | METAL CHIP 1K 5%               | 1/10W  | R172     | 1-216-001-00 | METAL CHIP 10 5%   | 1/10W  |
| R105     | 1-216-097-00   | METAL CHIP 100K 5%             | 1/10W  | R173     | 1-216-001-00 | METAL CHIP 10 5%   | 1/10W  |
|          |                |                                |        |          |              |                    |        |
|          |                |                                |        | R174     | 1-216-001-00 | METAL CHIP 10 5%   | 1/10W  |
|          |                |                                |        | R175     | 1-216-001-00 | METAL CHIP 10 5%   | 1/10W  |
|          |                |                                |        | R177     | 1-216-001-00 | METAL CHIP 10 5%   | 1/10W  |
|          |                |                                |        | R178     | 1-216-001-00 | METAL CHIP 10 5%   | 1/10W  |
|          |                |                                |        | R179     | 1-216-001-00 | METAL CHIP 10 5%   | 1/10W  |

**BD** **BSL** **D. TRANS** **DISPLAY**

| Ref. No. | Part No.     | Description                  | Remark        | Ref. No. | Part No. | Description   | Remark |
|----------|--------------|------------------------------|---------------|----------|----------|---------------|--------|
| R180     | 1-216-001-00 | METAL CHIP                   | 10 5% 1/10W   |          |          | < CONNECTOR > |        |
| R181     | 1-216-029-00 | METAL CHIP                   | 150 5% 1/10W  |          |          |               |        |
| R182     | 1-216-029-00 | METAL CHIP                   | 150 5% 1/10W  |          |          |               |        |
| R183     | 1-216-073-00 | METAL CHIP                   | 10K 5% 1/10W  |          |          |               |        |
| R184     | 1-216-097-00 | METAL CHIP                   | 100K 5% 1/10W |          |          |               |        |
| R201     | 1-216-061-00 | METAL CHIP                   | 3.3K 5% 1/10W |          |          |               |        |
| R202     | 1-216-061-00 | METAL CHIP                   | 3.3K 5% 1/10W |          |          |               |        |
| R203     | 1-216-073-00 | METAL CHIP                   | 10K 5% 1/10W  |          |          |               |        |
| R204     | 1-216-121-00 | METAL CHIP                   | 1M 5% 1/10W   |          |          |               |        |
| R205     | 1-216-105-00 | METAL CHIP                   | 220K 5% 1/10W |          |          |               |        |
| R206     | 1-216-073-00 | METAL CHIP                   | 10K 5% 1/10W  |          |          |               |        |
| R207     | 1-216-041-00 | METAL CHIP                   | 470 5% 1/10W  |          |          |               |        |
| R208     | 1-216-041-00 | METAL CHIP                   | 470 5% 1/10W  |          |          |               |        |
| R209     | 1-216-041-00 | METAL CHIP                   | 470 5% 1/10W  |          |          |               |        |
| R210     | 1-216-033-00 | METAL CHIP                   | 220 5% 1/10W  |          |          |               |        |
| R211     | 1-216-073-00 | METAL CHIP                   | 10K 5% 1/10W  |          |          |               |        |
| R212     | 1-216-037-00 | METAL CHIP                   | 330 5% 1/10W  |          |          |               |        |
| R213     | 1-216-049-00 | METAL CHIP                   | 1K 5% 1/10W   |          |          |               |        |
| R301     | 1-216-073-00 | METAL CHIP                   | 10K 5% 1/10W  |          |          |               |        |
| R303     | 1-216-073-00 | METAL CHIP                   | 10K 5% 1/10W  |          |          |               |        |
| R304     | 1-216-073-00 | METAL CHIP                   | 10K 5% 1/10W  |          |          |               |        |
| R305     | 1-216-073-00 | METAL CHIP                   | 10K 5% 1/10W  |          |          |               |        |
| R306     | 1-216-073-00 | METAL CHIP                   | 10K 5% 1/10W  |          |          |               |        |
| R307     | 1-216-073-00 | METAL CHIP                   | 10K 5% 1/10W  |          |          |               |        |
| R308     | 1-216-073-00 | METAL CHIP                   | 10K 5% 1/10W  |          |          |               |        |
| R309     | 1-216-049-00 | METAL CHIP                   | 1K 5% 1/10W   |          |          |               |        |
| R310     | 1-216-121-00 | METAL CHIP                   | 1M 5% 1/10W   |          |          |               |        |
| R311     | 1-216-037-00 | METAL CHIP                   | 330 5% 1/10W  |          |          |               |        |
| R312     | 1-216-073-00 | METAL CHIP                   | 10K 5% 1/10W  |          |          |               |        |
| R313     | 1-216-049-00 | METAL CHIP                   | 1K 5% 1/10W   |          |          |               |        |
| R314     | 1-216-073-00 | METAL CHIP                   | 10K 5% 1/10W  |          |          |               |        |
| R315     | 1-216-073-00 | METAL CHIP                   | 10K 5% 1/10W  |          |          |               |        |
| R316     | 1-216-073-00 | METAL CHIP                   | 10K 5% 1/10W  |          |          |               |        |
| R317     | 1-216-073-00 | METAL CHIP                   | 10K 5% 1/10W  |          |          |               |        |
| R318     | 1-216-073-00 | METAL CHIP                   | 10K 5% 1/10W  |          |          |               |        |
|          |              | < VIBRATOR >                 |               |          |          |               |        |
| X301     | 1-577-377-11 | VIBRATOR, CERAMIC (10MHz)    |               |          |          |               |        |
| *****    |              |                              |               |          |          |               |        |
| *        | A-4617-993-A | BSL BOARD, COMPLETE          |               |          |          |               |        |
|          |              | *****                        |               |          |          |               |        |
|          |              | < CAPACITOR >                |               |          |          |               |        |
| C10      | 1-124-779-00 | ELECT CHIP                   | 10uF 20% 16V  |          |          |               |        |
| C11      | 1-163-077-00 | CERAMIC CHIP                 | 0.1uF 10% 25V |          |          |               |        |
| C20      | 1-124-779-00 | ELECT CHIP                   | 10uF 20% 16V  |          |          |               |        |
| C21      | 1-163-077-00 | CERAMIC CHIP                 | 0.1uF 10% 25V |          |          |               |        |
|          |              | < HOLE ELEMENT >             |               |          |          |               |        |
| * CN1    | 1-564-519-11 | PLUG, CONNECTOR 4P           |               |          |          |               |        |
|          |              | < IC >                       |               |          |          |               |        |
| H11      | 8-719-987-62 | HALL, DEVICE LT140SC         |               |          |          |               |        |
| H21      | 8-719-987-62 | HALL, DEVICE LT140SC         |               |          |          |               |        |
|          |              | < JUMPER RESISTOR >          |               |          |          |               |        |
| J11      | 1-216-296-00 | METAL CHIP                   | 0 5% 1/8W     |          |          |               |        |
|          |              | < RESISTOR >                 |               |          |          |               |        |
| R11      | 1-216-049-00 | METAL CHIP                   | 1K 5% 1/10W   |          |          |               |        |
| R12      | 1-216-057-00 | METAL CHIP                   | 2.2K 5% 1/10W |          |          |               |        |
| R13      | 1-216-105-00 | METAL CHIP                   | 220K 5% 1/10W |          |          |               |        |
| R14      | 1-216-057-00 | METAL CHIP                   | 2.2K 5% 1/10W |          |          |               |        |
| R15      | 1-216-105-00 | METAL CHIP                   | 220K 5% 1/10W |          |          |               |        |
| R16      | 1-216-077-00 | METAL CHIP                   | 15K 5% 1/10W  |          |          |               |        |
| R17      | 1-216-077-00 | METAL CHIP                   | 15K 5% 1/10W  |          |          |               |        |
| R18      | 1-216-150-00 | METAL GLAZE                  | 10 5% 1/8W    |          |          |               |        |
| R19      | 1-216-070-00 | METAL CHIP                   | 7.5K 5% 1/10W |          |          |               |        |
| R21      | 1-216-049-00 | METAL CHIP                   | 1K 5% 1/10W   |          |          |               |        |
| R22      | 1-216-057-00 | METAL CHIP                   | 2.2K 5% 1/10W |          |          |               |        |
| R23      | 1-216-105-00 | METAL CHIP                   | 220K 5% 1/10W |          |          |               |        |
| R24      | 1-216-057-00 | METAL CHIP                   | 2.2K 5% 1/10W |          |          |               |        |
| R25      | 1-216-105-00 | METAL CHIP                   | 220K 5% 1/10W |          |          |               |        |
| R26      | 1-216-077-00 | METAL CHIP                   | 15K 5% 1/10W  |          |          |               |        |
| R27      | 1-216-077-00 | METAL CHIP                   | 15K 5% 1/10W  |          |          |               |        |
| R28      | 1-216-150-00 | METAL GLAZE                  | 10 5% 1/8W    |          |          |               |        |
| R29      | 1-216-070-00 | METAL CHIP                   | 7.5K 5% 1/10W |          |          |               |        |
| *****    |              |                              |               |          |          |               |        |
| *        | 1-646-367-11 | D. TRANS BOARD               |               |          |          |               |        |
|          |              | *****                        |               |          |          |               |        |
|          |              | < THERMISTOR >               |               |          |          |               |        |
| TH901    | 1-808-065-11 | THERMISTOR, POSITIVE (E, EA) |               |          |          |               |        |
| TH902    | 1-808-065-11 | THERMISTOR, POSITIVE (E, EA) |               |          |          |               |        |
| *****    |              |                              |               |          |          |               |        |
| *        | A-4649-423-A | DISPLAY BOARD, COMPLETE      |               |          |          |               |        |
|          |              | *****                        |               |          |          |               |        |
| *        | 4-923-532-01 | SPACER, LED                  |               |          |          |               |        |



|                |                 |             |            |
|----------------|-----------------|-------------|------------|
| <b>DISPLAY</b> | <b>L. MOTOR</b> | <b>LINE</b> | <b>OPT</b> |
|----------------|-----------------|-------------|------------|

| Ref. No. | Part No.     | Description                        | Remark | Ref. No. | Part No.     | Description                                 | Remark |
|----------|--------------|------------------------------------|--------|----------|--------------|---|--------|
|          |              | < CAPACITOR >                      |        |          |              |   |        |
| C801     | 1-164-159-11 | CERAMIC 0.1uF                      | 50V    | S816     | 1-554-303-21 | SWITCH, TACTILE (ERASE)                     |        |
| C802     | 1-164-159-11 | CERAMIC 0.1uF                      | 50V    | S817     | 1-554-303-21 | SWITCH, TACTILE (▶▶)                        |        |
| C803     | 1-164-159-11 | CERAMIC 0.1uF                      | 50V    | S818     | 1-554-303-21 | SWITCH, TACTILE (■)                         |        |
|          |              | < DIODE >                          |        |          |              | < VIBRATOR >                                |        |
| D801     | 8-719-987-63 | DIODE 1N4148M                      |        | X801     | 1-577-359-21 | VIBRATOR, CERAMIC (4.19MHz)                 |        |
| D802     | 8-719-987-63 | DIODE 1N4148M                      |        | *****    |              |   |        |
| D803     | 8-719-987-63 | DIODE 1N4148M                      |        | *        | 1-646-355-11 | HP BOARD                                    |        |
| D804     | 8-719-913-49 | LED EBG5638S (▶)                   |        |          |              | *****                                       |        |
| D805     | 8-719-913-47 | LED EAA5638S (■)                   |        |          |              | < CAPACITOR >                               |        |
|          |              | < FLUORESCENT INDICATOR >          |        | C461     | 1-162-290-31 | CERAMIC 470PF 10% 50V                       |        |
| FLD801   | 1-517-128-11 | INDICATOR TUBE, FLUORESCENT        |        | C561     | 1-162-290-31 | CERAMIC 470PF 10% 50V                       |        |
|          |              | < IC >                             |        |          |              | < CONNECTOR >                               |        |
| IC801    | 8-759-167-73 | IC MSC62408-100GS-V1K              |        | * CN461  | 1-573-262-11 | PIN, CONNECTOR 3P                           |        |
| IC802    | 8-741-100-48 | IC SBX1610-59                      |        |          |              | < JACK >                                    |        |
|          |              | < TRANSISTOR >                     |        | J461     | 1-568-519-31 | JACK, LARGE TYPE (PHONES) (BLACK:AEP, E, G) |        |
| Q801     | 8-729-900-45 | TRANSISTOR DTC114EF                |        | J461     | 1-568-519-61 | JACK, LARGE TYPE (PHONES) (GOLD)            |        |
| Q802     | 8-729-900-45 | TRANSISTOR DTC114EF                |        | *****    |              |   |        |
| Q803     | 8-729-900-45 | TRANSISTOR DTC114EF                |        | *        | 1-641-765-11 | L. MOTOR BOARD                              |        |
| Q804     | 8-729-900-45 | TRANSISTOR DTC114EF                |        |          |              | *****                                       |        |
|          |              | < RESISTOR >                       |        | *****    |              |   |        |
| R801     | 1-249-425-11 | CARBON 4.7K 5% 1/4W F              |        | *        | 1-646-371-11 | LINE BOARD                                  |        |
| R802     | 1-249-429-11 | CARBON 10K 5% 1/4W                 |        |          |              | *****                                       |        |
| R803     | 1-247-903-00 | CARBON 1M 5% 1/4W                  |        |          |              | < CONNECTOR >                               |        |
| R804     | 1-249-441-11 | CARBON 100K 5% 1/4W                |        | * CN472  | 1-573-263-41 | PIN, CONNECTOR 4P                           |        |
| R805     | 1-249-441-11 | CARBON 100K 5% 1/4W                |        | * CN473  | 1-573-261-41 | PIN, CONNECTOR 2P                           |        |
| R806     | 1-249-406-11 | CARBON 120 5% 1/4W F               |        |          |              | < DIODE >                                   |        |
| R807     | 1-249-410-11 | CARBON 270 5% 1/4W F               |        | D471     | 8-719-987-63 | DIODE 1N4148M                               |        |
|          |              | < SWITCH >                         |        |          |              | < RELAY >                                   |        |
| S801     | 1-554-303-21 | SWITCH, TACTILE (DISPLAY MODE)     |        | RY471    | 1-515-804-11 | RELAY                                       |        |
| S802     | 1-554-303-21 | SWITCH, TACTILE (PLAY MODE)        |        | *****    |              |   |        |
| S803     | 1-554-303-21 | SWITCH, TACTILE (LEVEL FILE)       |        | *        | 1-646-368-11 | OPT BOARD                                   |        |
| S804     | 1-554-303-21 | SWITCH, TACTILE (EDIT/TIME FADE)   |        |          |              | *****                                       |        |
| S805     | 1-554-303-21 | SWITCH, TACTILE (DIMMER REPEAT)    |        |          |              | < CAPACITOR >                               |        |
| S806     | 1-554-303-21 | SWITCH, TACTILE (DIMMER TIME/MEMO) |        | C280     | 1-126-059-11 | ELECT 10uF 20% 50V                          |        |
| S807     | 1-554-303-21 | SWITCH, TACTILE (PEAK SEARCH)      |        |          |              |   |        |
| S808     | 1-554-303-21 | SWITCH, TACTILE (AMS ▶◀)           |        |          |              |   |        |
| S809     | 1-554-303-21 | SWITCH, TACTILE (△ OPEN/CLOSE)     |        |          |              |   |        |
| S810     | 1-554-303-21 | SWITCH, TACTILE (FINE RECALL)      |        |          |              |   |        |
| S811     | 1-554-303-21 | SWITCH, TACTILE (AMS ▶◀)           |        |          |              |   |        |
| S812     | 1-554-303-21 | SWITCH, TACTILE (▶)                |        |          |              |   |        |
| S813     | 1-554-303-21 | SWITCH, TACTILE (FINE)             |        |          |              |   |        |
| S814     | 1-554-303-21 | SWITCH, TACTILE (◀◀)               |        |          |              |   |        |
| S815     | 1-554-303-21 | SWITCH, TACTILE (■)                |        |          |              |   |        |

| Ref. No.       | Part No.              | Description                    | Remark | Ref. No. | Part No.     | Description                  | Remark |
|----------------|-----------------------|--------------------------------|--------|----------|--------------|------------------------------|--------|
|                |                       | < CONNECTOR >                  |        |          |              |                              |        |
| * CN280        | 1-564-705-11          | PIN, CONNECTOR (SMALL TYPE) 3P |        | C980     | 1-104-645-91 | CERAMIC 1uF 20% 50V          |        |
|                |                       | < IC >                         |        | C981     | 1-162-806-11 | CERAMIC 0.1uF 10% 50V        |        |
| IC280          | 8-749-921-12          | IC GP1F32T                     |        |          |              | < CONNECTOR >                |        |
| *****          |                       |                                |        | * CN921  | 1-573-863-21 | PIN, CONNECTOR (PC BOARD) 4P |        |
| * A-4649-709-A | POWER BOARD, COMPLETE |                                |        | * CN922  | 1-573-262-21 | PIN, CONNECTOR 3P            |        |
|                | *****                 |                                |        | * CN923  | 1-573-262-31 | PIN, CONNECTOR 3P            |        |
| * 4-363-146-00 | HEAT SINK, V. OUT     |                                |        | * CN924  | 1-573-263-11 | PIN, CONNECTOR 4P            |        |
| 7-682-147-15   | SCREW, TR             |                                |        | * CN925  | 1-573-262-41 | PIN, CONNECTOR 3P            |        |
|                |                       | < BUS >                        |        | * CN931  | 1-573-866-21 | PIN, CONNECTOR (PC BOARD) 7P |        |
| * BUS1         | 1-566-959-11          | BAR, BUS                       |        | * CN932  | 1-573-261-11 | PIN, CONNECTOR 2P            |        |
|                |                       | < CAPACITOR >                  |        | * CN933  | 1-573-265-11 | PIN, CONNECTOR 6P            |        |
| C901           | 1-104-645-91          | CERAMIC 1uF 20% 50V            |        | * CN934  | 1-564-341-51 | PIN, CONNECTOR 7P            |        |
| C902           | 1-107-169-00          | MICA 100PF 5% 500V             |        | * CN935  | 1-573-261-11 | PIN, CONNECTOR 2P            |        |
| C921           | 1-104-642-11          | ELECT 6800uF 20% 35V           |        |          |              | < DIODE >                    |        |
| C922           | 1-107-169-00          | MICA 100PF 5% 500V             |        | D921     | 8-719-210-29 | DIODE F10P10Q                |        |
| C923           | 1-126-051-11          | ELECT 47uF 20% 50V             |        | D922     | 8-719-210-29 | DIODE F10P10Q                |        |
| C924           | 1-106-343-00          | MYLAR 1000PF 5% 200V           |        | D923     | 8-719-114-49 | DIODE RD7. 5JS-B2            |        |
| C925           | 1-107-202-00          | MICA 10PF 5% 500V              |        | D924     | 8-719-114-75 | DIODE RD13JS-T2B2            |        |
| C926           | 1-126-729-51          | ELECT 1000uF 20% 63V           |        | D931     | 8-719-210-29 | DIODE F10P10Q                |        |
| C930           | 1-162-806-11          | CERAMIC 0.1uF 10% 50V          |        | D932     | 8-719-210-29 | DIODE F10P10Q                |        |
| C931           | 1-104-642-11          | ELECT 6800uF 20% 35V           |        | D933     | 8-719-114-49 | DIODE RD7. 5JS-B2            |        |
| C932           | 1-107-169-00          | MICA 100PF 5% 500V             |        | D934     | 8-719-975-85 | DIODE ERB83-004              |        |
| C933           | 1-126-051-11          | ELECT 47uF 20% 50V             |        | D951     | 8-719-975-85 | DIODE ERB83-004              |        |
| C934           | 1-106-343-00          | MYLAR 1000PF 5% 200V           |        | D952     | 8-719-975-85 | DIODE ERB83-004              |        |
| C935           | 1-107-202-00          | MICA 10PF 5% 500V              |        | D953     | 8-719-975-85 | DIODE ERB83-004              |        |
| C936           | 1-126-729-51          | ELECT 1000uF 20% 63V           |        | D954     | 8-719-975-85 | DIODE ERB83-004              |        |
| C951           | 1-126-017-11          | ELECT 6800uF 20% 16V           |        | D961     | 8-719-200-02 | DIODE 10E2                   |        |
| C952           | 1-124-920-11          | ELECT 330uF 20% 63V            |        | D962     | 8-719-114-61 | DIODE RD10JS-T2B2            |        |
| C953           | 1-124-473-11          | ELECT 1000uF 20% 10V           |        | D971     | 8-719-200-02 | DIODE 10E2                   |        |
| C955           | 1-126-303-11          | ELECT 3.3uF 20% 50V            |        | D972     | 8-719-115-15 | DIODE RD33JS-T2B2            |        |
| C956           | 1-162-294-31          | CERAMIC 0.001uF 10% 50V        |        | D973     | 8-719-114-49 | DIODE RD7. 5JS-B2            |        |
| C957           | 1-162-806-11          | CERAMIC 0.1uF 10% 50V          |        |          |              | < IC >                       |        |
| C961           | 1-126-001-11          | ELECT 3300uF 20% 10V           |        | IC921    | 8-759-602-01 | IC M5220P                    |        |
| C962           | 1-124-995-11          | ELECT 220uF 20% 10V            |        | IC951    | 8-759-071-48 | IC M5F7807L                  |        |
| C963           | 1-124-999-11          | ELECT 2200uF 20% 10V           |        | IC952    | 8-759-231-53 | IC M5F7805                   |        |
| C971           | 1-126-063-11          | ELECT 100uF 20% 63V            |        | IC953    | 8-759-636-16 | IC M51957AL                  |        |
| C972           | 1-126-060-11          | ELECT 22uF 20% 50V             |        |          |              | < JACK >                     |        |
| C973           | 1-126-052-11          | ELECT 100uF 20% 50V            |        | J471     | 1-568-101-11 | JACK, PIN 4P (LINE OUT)      |        |
| C974           | 1-126-052-11          | ELECT 100uF 20% 50V            |        |          |              | < IC LINK >                  |        |
| C975           | 1-107-169-00          | MICA 100PF 5% 500V             |        | △PS921   | 1-532-685-00 | LINK, IC                     |        |
| C976           | 1-107-169-00          | MICA 100PF 5% 500V             |        | △PS931   | 1-532-685-00 | LINK, IC                     |        |
| C977           | 1-107-169-00          | MICA 100PF 5% 500V             |        |          |              | < TRANSISTOR >               |        |
| C979           | 1-106-343-00          | MYLAR 1000PF 5% 200V           |        | Q921     | 8-729-203-05 | TRANSISTOR 2SK30A-GR3        |        |
|                |                       |                                |        | Q922     | 8-729-107-53 | TRANSISTOR 2SC2275A          |        |

The components identified by mark  $\Delta$  or dotted line with mark  $\Delta$  are critical for safety. Replace only with part number specified.

**POWER SW TIMER VR**

| Ref.No.        | Part No.     | Description                | Remark |
|----------------|--------------|----------------------------|--------|
| Q931           | 8-729-203-05 | TRANSISTOR 2SK30A-GR3      |        |
| Q932           | 8-729-141-10 | TRANSISTOR 2SA985A         |        |
| Q961           | 8-729-924-90 | TRANSISTOR 2SB1370-EF      |        |
| Q971           | 8-729-140-96 | TRANSISTOR KSC1008         |        |
| < RESISTOR >   |              |                            |        |
| R470           | 1-249-637-11 | CARBON 33 5% 1/2W          |        |
| R471           | 1-247-700-11 | CARBON 100 5% 1/4W         |        |
| R570           | 1-249-637-11 | CARBON 33 5% 1/2W          |        |
| R571           | 1-247-700-11 | CARBON 100 5% 1/4W         |        |
| △R901          | 1-212-976-00 | FUSIBLE 56 5% 1/2W         |        |
| R921           | 1-249-520-11 | CARBON 47 5% 1/4W          |        |
| R922           | 1-247-713-11 | CARBON 1K 5% 1/4W F        |        |
| R923           | 1-247-713-11 | CARBON 1K 5% 1/4W F        |        |
| R924           | 1-247-716-11 | CARBON 1.8K 5% 1/4W        |        |
| R925           | 1-247-716-11 | CARBON 1.8K 5% 1/4W        |        |
| R926           | 1-247-700-11 | CARBON 100 5% 1/4W         |        |
| △R927          | 1-212-994-00 | FUSIBLE 330 5% 1/2W        |        |
| R931           | 1-249-520-11 | CARBON 47 5% 1/4W          |        |
| R932           | 1-247-713-11 | CARBON 1K 5% 1/4W F        |        |
| R933           | 1-247-713-11 | CARBON 1K 5% 1/4W F        |        |
| R934           | 1-247-716-11 | CARBON 1.8K 5% 1/4W        |        |
| R935           | 1-247-716-11 | CARBON 1.8K 5% 1/4W        |        |
| R936           | 1-247-700-11 | CARBON 100 5% 1/4W         |        |
| R951           | 1-249-423-11 | CARBON 3.3K 5% 1/4W F      |        |
| R952           | 1-215-459-00 | METAL 39K 1% 1/6W          |        |
| R953           | 1-215-449-00 | METAL 15K 1% 1/6W          |        |
| R961           | 1-259-421-11 | CARBON 510 5% 1/4W         |        |
| R971           | 1-249-425-11 | CARBON 4.7K 5% 1/4W F      |        |
| R972           | 1-249-433-11 | CARBON 22K 5% 1/4W         |        |
| R973           | 1-249-433-11 | CARBON 22K 5% 1/4W         |        |
| < THERMISTOR > |              |                            |        |
| TH903          | 1-806-882-11 | THERMISTOR, POSITIVE       |        |
| TH904          | 1-808-065-11 | THERMISTOR, POSITIVE       |        |
| TH905          | 1-808-065-11 | THERMISTOR, POSITIVE       |        |
| *****          |              |                            |        |
| *              | 1-641-764-11 | SW BOARD                   |        |
|                |              | *****                      |        |
| < CAPACITOR >  |              |                            |        |
| C001           | 1-161-494-00 | CERAMIC 0.022uF 25V        |        |
| < RESISTOR >   |              |                            |        |
| △R001          | 1-247-727-11 | CARBON 10 5% 1/2W F        |        |
| △R002          | 1-247-727-11 | CARBON 10 5% 1/2W F        |        |
| < SWITCH >     |              |                            |        |
| S001           | 1-571-300-21 | SWITCH, ROTARY (IN SWITCH) |        |

| Ref.No.               | Part No.     | Description                                      | Remark |
|-----------------------|--------------|--|--------|
| S002                  | 1-571-300-21 | SWITCH, ROTARY (OUT SWITCH)                      |        |
| *****                 |              |  |        |
| *                     | 1-646-356-11 | TIMER BOARD                                      |        |
|                       |              | *****  |        |
| < SWITCH >            |              |  |        |
| S851                  | 1-570-157-51 | SWITCH, SLIDE (TIMER)                            |        |
| *****                 |              |  |        |
| *                     | 1-646-354-11 | VR BOARD   |        |
|                       |              | *****  |        |
| < CAPACITOR >         |              |  |        |
| C351                  | 1-164-159-11 | CERAMIC 0.1uF 50V                                |        |
| C352                  | 1-164-159-11 | CERAMIC 0.1uF 50V                                |        |
| < CONNECTOR >         |              |  |        |
| * CN351               | 1-573-267-11 | PIN, CONNECTOR 8P                                |        |
| * CN352               | 1-569-993-11 | PIN, CONNECTOR (PC BOARD) 6P                     |        |
| < IC >                |              |  |        |
| IC351                 | 8-759-962-08 | IC BA6208  |        |
| < TRANSISTOR >        |              |  |        |
| Q351                  | 8-729-900-45 | TRANSISTOR DTC114EF                              |        |
| < RESISTOR >          |              |  |        |
| R351                  | 1-249-413-11 | CARBON 470 5% 1/4W F                             |        |
| R352                  | 1-249-417-11 | CARBON 1K 5% 1/4W F                              |        |
| < VARIABLE RESISTOR > |              |  |        |
| RV351                 | 1-241-321-11 | RES, VAR, CARBON 10KX3<br>(LINE OUT/PHONE LEVEL) |        |
| *****                 |              |  |        |
| MISCELLANEOUS         |              |  |        |
| *****                 |              |  |        |
| △66                   | 1-558-181-21 | CORD, POWER (E, EA)                              |        |
| △66                   | 1-558-568-21 | CORD, POWER (AEP, G)                             |        |
| △66                   | 1-751-060-11 | CORD, POWER (AUS)                                |        |
| △71                   | 1-569-007-11 | ADAPTER, CONVERSION 2P (E)                       |        |
| △72                   | 1-569-008-11 | ADAPTER, CONVERSION 2P (EA)                      |        |
| △F991                 | 1-532-284-00 | FUSE, TIME-LAG (0.63A) (AEP, AUS, G)             |        |
| M001                  | A-4604-347-A | MOTOR (L) ASSY                                   |        |
| Q932                  | 8-729-141-10 | TRANSISTOR 2SA985A                               |        |
| RV351                 | 1-241-321-11 | RES, VAR, CARBON 10KX3<br>(LINE OUT/PHONE LEVEL) |        |

The components identified by mark △ or dotted line with mark △ are critical for safety. Replace only with part number specified.

| <u>Ref. No.</u>                 | <u>Part No.</u>            | <u>Description</u>                                    | <u>Remark</u> | <u>Ref. No.</u> | <u>Part No.</u> | <u>Description</u>              | <u>Remark</u> |
|---------------------------------|----------------------------|---|---------------|-----------------|-----------------|---------------------------------|---------------|
| S991                            | 1-572-267-21               | SWITCH, PUSH (AC POWER) (1 KEY)                       |               |                 |                 | *****<br>HARDWARE LIST<br>***** |               |
| △T901                           | 1-423-461-11               | TRANSFORMER, POWER (AUDIO) (AEP, AUS, G)              |               |                 |                 |                                 |               |
| △T911                           | 1-423-459-11               | TRANSFORMER, POWER (E, EA)                            |               |                 |                 |                                 |               |
| △T911                           | 1-423-460-11               | TRANSFORMER, POWER (DIGITAL) (AEP, AUS, G)            |               | #1              | 7-682-545-09    | SCREW +B 3X4                    |               |
| △VS901                          | 1-526-576-51               | SELECTOR, POWER VOLTAGE<br>(VOLTAGE SELECTOR) (E, EA) |               | #2              | 7-682-664-09    | SCREW +PSW 4X14                 |               |
| *****                           |                            |   |               | #3              | 7-685-647-79    | SCREW +P 3X10 TYPE2 SLIT        |               |
| ACCESSORIES & PACKING MATERIALS |                            |   |               | #4              | 7-685-871-01    | SCREW +BVTT 3X6 (S)             |               |
| *****                           |                            |   |               | #5              | 7-682-548-04    | SCREW +BVTT 3X8 (S)             |               |
| 1-465-592-11                    | REMOTE COMMANDER (RM-D891) | (GOLD:AEP)  |               | #6              | 7-682-548-09    | SCREW +BVTT 3X8 (S)             |               |
| 1-465-593-11                    | REMOTE COMMANDER (RM-D991) | (BLACK:AEP, E, AUS)                                   |               | #7              | 7-682-549-09    | SCREW +BVTT 3X10 (S)            |               |
| 1-558-271-11                    | CORD, CONNECTION           | (AEP, E, G)   |               | #8              | 7-682-560-04    | SCREW +BVTT 4X6 (S)             |               |
| 1-590-925-31                    | CORD, CONNECTION           | (AEP, E, G)   |               | #9              | 7-682-147-15    | SCREW, TR                       |               |
| 3-707-584-01                    | COVER, BATTERY             |   |               | #10             | 7-682-547-09    | SCREW +BVTT 3X6 (S) (E, EA)     |               |
| 3-755-832-11                    | MANUAL, INSTRUCTION        | (ENGLISH/FRENCH/SPANISH/CHINESE) (AEP, E, EA, AUS)    |               | #11             | 7-685-646-79    | SCREW, TAPPING                  |               |
| 3-755-832-41                    | MANUAL, INSTRUCTION        | (GERMAN/DUTCH/ITALIAN/PORTUGUESE) (AEP)               |               | #12             | 7-682-551-09    | SCREW +BVTT 3X14 (S)            |               |
| 3-755-832-71                    | MANUAL, INSTRUCTION        | (GERMAN) (G)  |               | #13             | 7-624-106-04    | RING, RETAINING E-3             |               |
| 4-847-802-00                    | SCREW                      | (BLACK:AEP, E, AUS)                                   |               | #14             | 7-682-144-01    | SCREW +P 3X3                    |               |
| 4-847-802-11                    | SCREW                      | (GOLD:AEP)  |               | #15             | 7-685-131-19    | SCREW +BTP 2. 6X4 TYPE2 N-S     |               |
| *                               | 4-955-666-02               | CUSHION (AUS)   |               | #16             | 7-685-132-19    | + PTPWH (2. 6X5)                |               |
| *                               | 4-955-669-02               | CUSHION (AEP, E, EA)                                  |               | #17             | 7-688-003-12    | W 3, MIDDLE                     |               |
|                                 | 4-956-945-01               | INDIVIDUAL CARTON (EXCEPT FOR AUS)                    |               | #18             | 7-624-105-04    | STOP RING 2. 3, TYPE -E         |               |
|                                 | 4-956-946-01               | INDIVIDUAL CARTON (AUS)                               |               |                 |                 |                                 |               |
| *****                           |                            |   |               |                 |                 |                                 |               |

The components identified by mark △ or dotted line with mark △ are critical for safety. Replace only with part number specified.



# CDP-X505ES

## SONY SERVICE MANUAL

AEP Model  
E Model  
Australian Model

### CORRECTION-1

Correct your service manual as shown below

#### 3-4. SCHEMATIC DIAGRAM — MAIN SECTION — (Page 19)

⚡ : indicates corrected portion.

